

Getting Started With Your System

系统使用入门
はじめに
시스템 시작하기

Model BMX

Getting Started With Your System

Notes, Notices, and Cautions



NOTE: A NOTE indicates important information that helps you make better use of your computer.



NOTICE: A NOTICE indicates either potential damage to hardware or loss of data and tells you how to avoid the problem.



CAUTION: A CAUTION indicates a potential for property damage, personal injury, or death

Information in this document is subject to change without notice.

© 2006 Dell Inc. All rights reserved.

Reproduction in any manner whatsoever without the written permission of Dell Inc. is strictly forbidden.

Trademarks used in this text: *Dell*, the *DELL* logo, and *Dell OpenManage* are trademarks of Dell Inc.; *Microsoft* and *Windows* are registered trademarks and *Windows Server* is a trademark of Microsoft Corporation; *Intel* and *Xeon* are registered trademarks of Intel Corporation; *SUSE* is a registered trademark of Novell, Inc.; *Red Hat* is a registered trademark of Red Hat, Inc.

Other trademarks and trade names may be used in this document to refer to either the entities claiming the marks and names or their products. Dell Inc. disclaims any proprietary interest in trademarks and trade names other than its own.

Model BMX

January 2006

P/N YC631

Rev. A00

System Features

This section describes the major hardware and software features of your system. It also provides information about other documents you may need when setting up your system and how to obtain technical assistance.



- Support for up to ten server modules. The chassis can support from one to ten server modules. (If fewer than ten server modules are installed in the chassis, server module blanks are required for proper cooling.)
- Dell™ Remote Access Controller/Modular Chassis (DRAC/MC), which provides access to systems management software features.
 - To access systems management features, connect the null modem cable provided with the system between the serial management port and an external PC. You may also obtain system management information through a Web browser connected to the RJ-45 management port. Systems management software monitors the system and server module status.
 - Embedded systems management circuitry that monitors operation of the system fans and critical system voltages and temperatures. The systems management circuitry works in conjunction with your systems management software.
- Support for I/O connectivity including pass-through modules and network switch modules. Up to four I/O modules may be installed. (If fewer than four modules are installed, blank I/O modules are required for proper cooling.) Optional daughter cards installed in the server modules enable the I/O connectivity.
- Two hot-pluggable system fan modules. Each fan module has two replaceable fans.
- Two 2100-watt, hot-pluggable power supplies and two power supply blanks, or four 2100-watt, hot-pluggable power supplies. Two power supplies provide power to the system; two additional power supplies provide redundancy.

 **NOTICE:** 1200-watt power supplies are not supported.

Server Module Features

- One or two Intel® Xeon® Processor 5000 Sequence.
- Support for symmetric multiprocessing (SMP), which greatly improves overall system performance by dividing processor operations between independent processors. To take advantage of this feature, you must use an operating system that supports multiprocessing.
- A minimum of 512 MB of 533-MHz or 677-MHz (when available) DDR II fully-buffered DIMM (FBD) memory modules, upgradable to a maximum of 32 GB by installing combinations of 256-MB, 512-MB, 1-GB, 2-GB, or 4-GB two-way interleaving memory modules in the eight memory module sockets on the system board.

The system also supports memory sparing or memory mirroring if all eight memory module sockets are populated with identical memory modules.

- Support for up to two 2.5-inch, SAS or SATA hot-pluggable hard drives.
 -  **NOTE:** SAS and SATA hard drives cannot be mixed within a server module.
- Integrated internal drive mirroring allows two disks to be mirrored through the integrated RAID controller.
- An external port to support USB devices using the custom cable. USB devices include a mouse, a keyboard, flash drive, a 1.44-MB, 3.5-inch diskette drive, or an optical drive.
 -  **NOTE:** Only Dell-supplied USB diskette drives and optical drives are supported; use only a USB 2.0-compliant cable with a length not to exceed 3 meters (118.1 inches).
- An integrated VGA-compatible video subsystem with an ATI ES1000 video controller. This video subsystem contains 16 MB of SDRAM video memory (nonupgradable). Maximum resolution is 1280 x 1024 x 65,000 colors (noninterlaced).
- Systems management circuitry that monitors operation of the system fans as well as critical system voltages and temperatures. The systems management circuitry works in conjunction with the systems management software.

For more information about specific features, see "Technical Specifications."

The following software is included with your system:

- A System Setup program for quickly viewing and changing system configuration information. For more information on this program, see "Using the System Setup Program" in your *Hardware Owner's Manual*.
- Enhanced security features, including a system password and a setup password, available through the System Setup program.
- System diagnostics for evaluating system components and devices. For information about using the system diagnostics, see "Running the System Diagnostics" in your *Hardware Owner's Manual*.
- Video drivers for displaying many popular application programs in high-resolution modes.
- Systems management software and documentation. Systems management software is used to manage and monitor each individual server module as well as the system as a whole, including all of the server modules, network switch modules, power supplies, and fans. Systems management software manages the system locally and remotely on a network. Dell recommends that you use the systems management software provided with this system.
- Optional solutions software for Web hosting, caching, or load balancing. See your solutions software documentation for more information


Supported Operating Systems

Your system supports the following operating systems:

- Microsoft® Windows® 2000 Server and Advanced Server with Service Pack 4 or later
- Microsoft Windows Server™ 2003 Standard Edition, Enterprise Edition, and Web Edition with Service Pack 1 or later

- Microsoft Windows Server 2003, Standard and Enterprise x64 Edition
- Red Hat® Enterprise Linux AS, ES, and WS (version 3) for Intel x86
- Red Hat Enterprise Linux AS, ES, and WS (version 4) for Intel x86
- Red Hat Enterprise Linux for Intel Extended Memory 64 Technology (Intel EM64T) AS, ES, and WS (version 4)
- SuSE® Linux Enterprise Server 9 for Intel EM64T

Other Information You May Need

 **CAUTION:** The *Product Information Guide* provides important safety and regulatory information. Warranty information may be included within this document or as a separate document.

- The *Rack Installation Guide* or *Rack Installation Instructions* included with your rack solution describes how to install your system into a rack.
- The *Hardware Owner's Manual* provides information about system features and describes how to troubleshoot the system and install or replace system components.
- The *Dell OpenManage Baseboard Management Controller User's Guide* provides detailed information on using the BMC.
- The *Dell Remote Access Controller/Modular Chassis User's Guide* provides detailed information on using the remote management features of the system.
- The *Configuration Guide* provides information on configuring your system and the server modules in your system.
- CDs included with your system provide documentation and tools for configuring and managing your system.
- Systems management software documentation describes the features, requirements, installation, and basic operation of the software.
- Operating system documentation describes how to install (if necessary), configure, and use the operating system software.
- Documentation for any components you purchased separately provides information to configure and install these options.
- Updates are sometimes included with the system to describe changes to the system, software, and/or documentation.

 **NOTE:** Always check for updates on support.dell.com and read the updates first because they often supersede information in other documents.

- Release notes or readme files may be included to provide last-minute updates to the system or documentation or advanced technical reference material intended for experienced users or technicians.

Obtaining Technical Assistance

If you do not understand a procedure in this guide or if the system does not perform as expected, see your *Hardware Owner's Manual*.

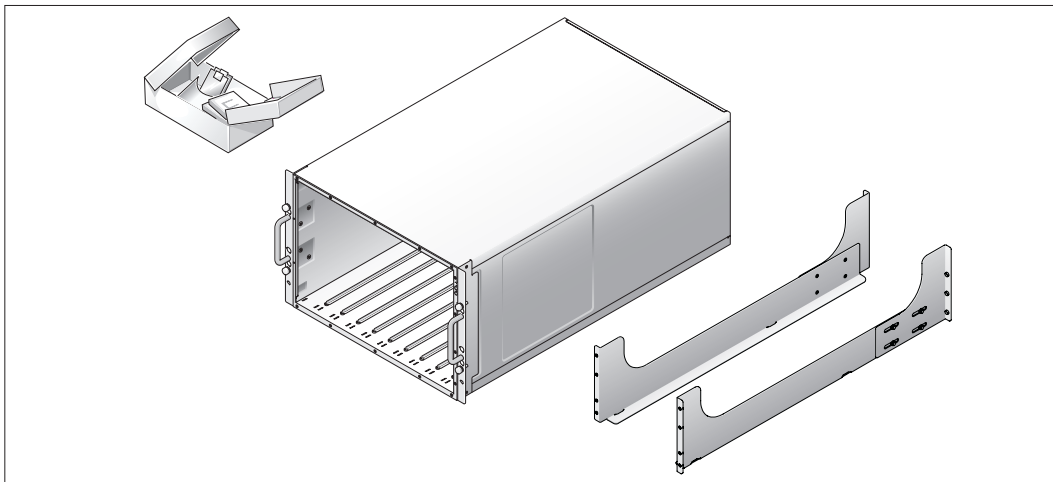
Dell Enterprise Training and Certification is available; see www.dell.com/training for more information. This service may not be offered in all locations.

Installation and Configuration

⚠ CAUTION: Before performing the following procedure, read and follow the safety instructions and important regulatory information in your *Product Information Guide*.

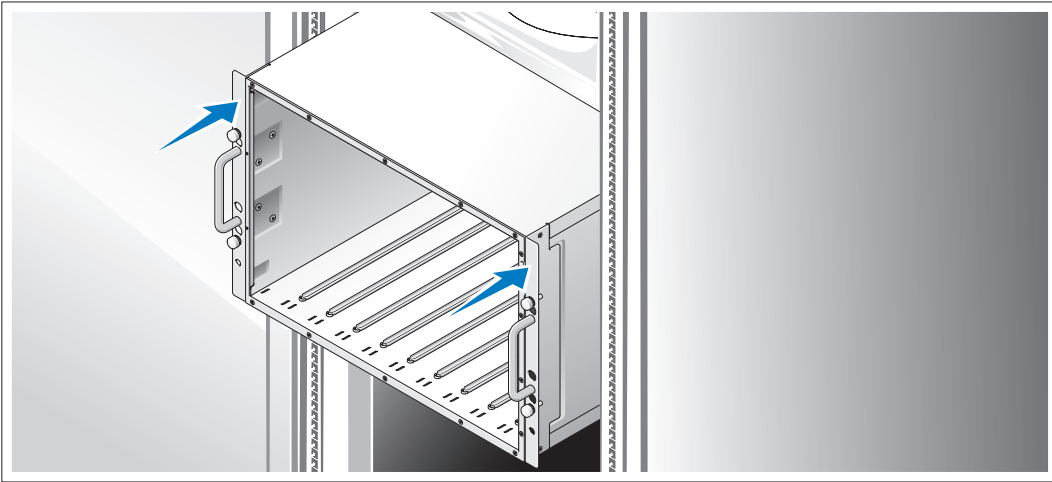
This section describes the steps required to set up your system for the first time.

Unpack the System



- 1** Unpack your system and identify each item.
Keep all shipping materials in case you need them later.

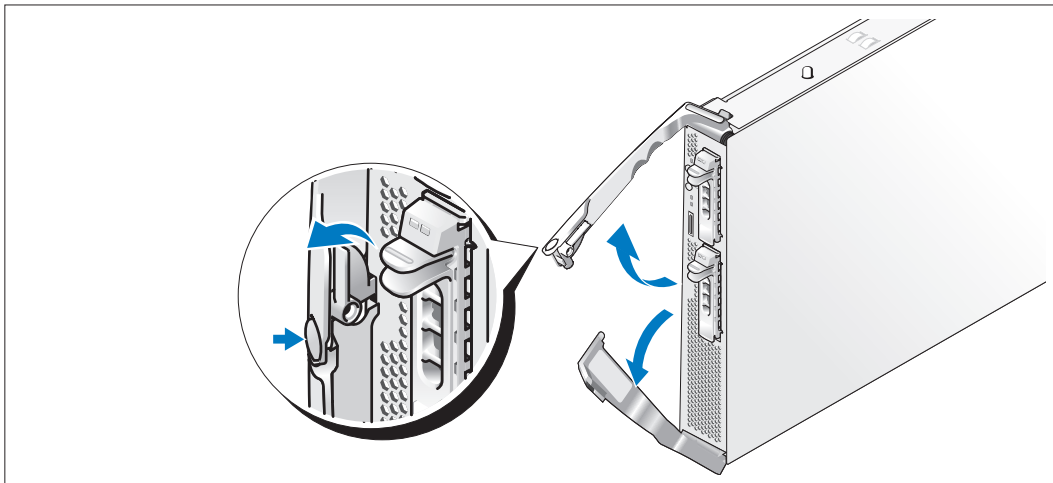
Install the System in a Rack



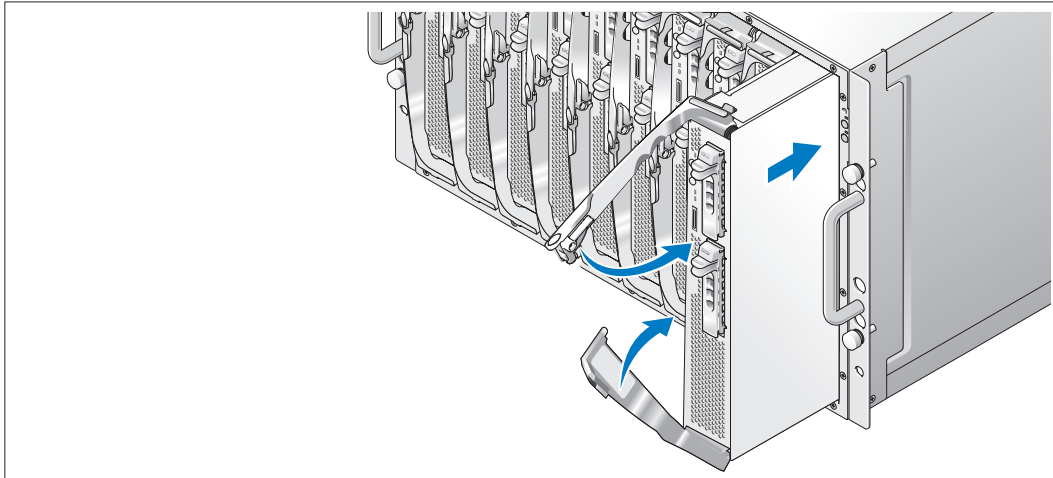
- 2 Install the system in the rack once you have read the "Safety Instructions" located in the rack installation documentation for your system.

See your rack installation documentation for instructions on installing your system in a rack.

Install the Server Modules

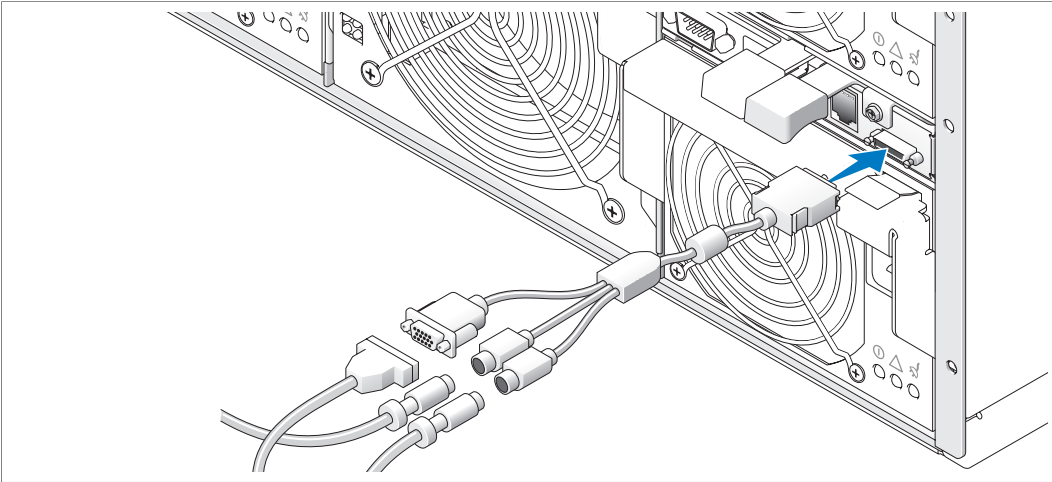


- 3 Before installing the modules, orient each module so that the upper handle has the logo on it and "TOP-SIDE" on the module edge faces upward. Press the release latch on the inside of the upper handle. Pull out the upper and lower handles.



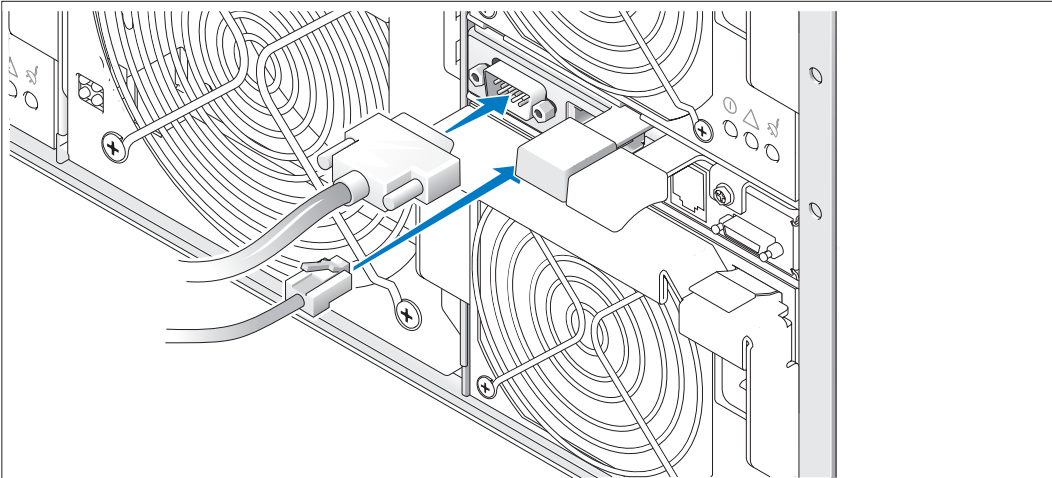
Beginning from left to right, slide the modules into the chassis. When the open handles contact the chassis front panel, begin to rotate the handles together (the lower handle will close first) until the lower handle is flush against the module's front panel. Continue to rotate the upper handle downward until it is flush against the lower handle. (When the handles are fully closed, the release latch will secure both handles to the front panel.)

Connect the Keyboard, Mouse, and Monitor



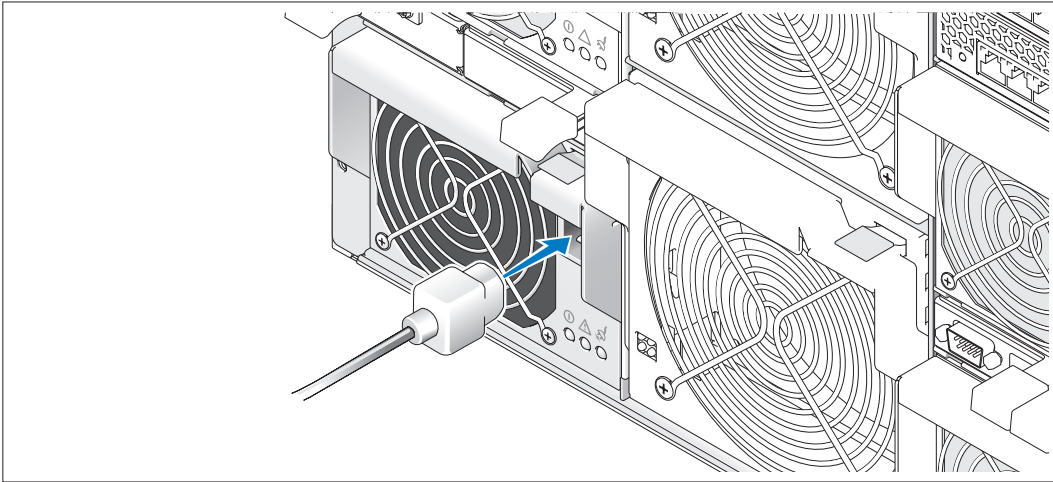
- 4 Attach the custom cable to the KVM module, then connect the keyboard, mouse, and monitor (optional) to the custom cable.

Connect the Management System



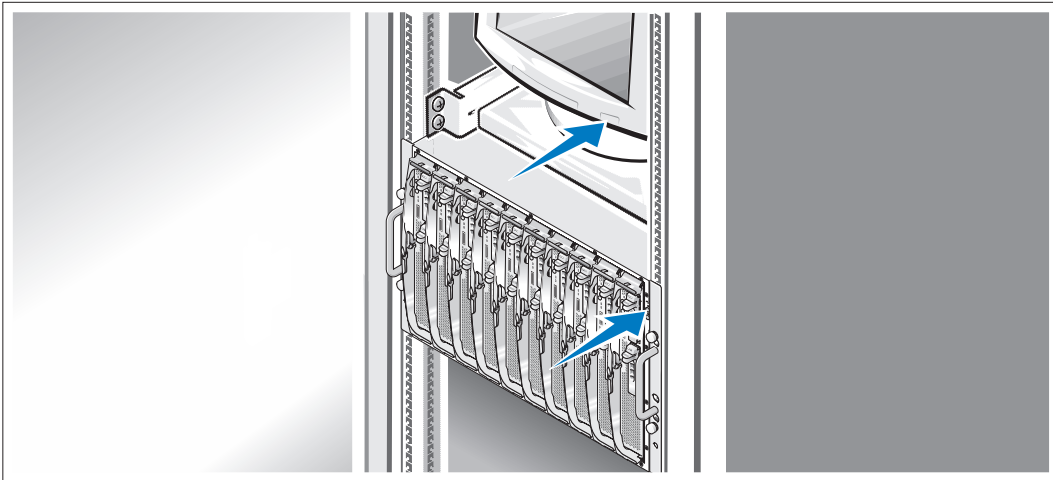
- 5 Connect the serial cable and network cable from the management system to the DRAC/MC module.

Connect the System and Monitor (Optional) to Power



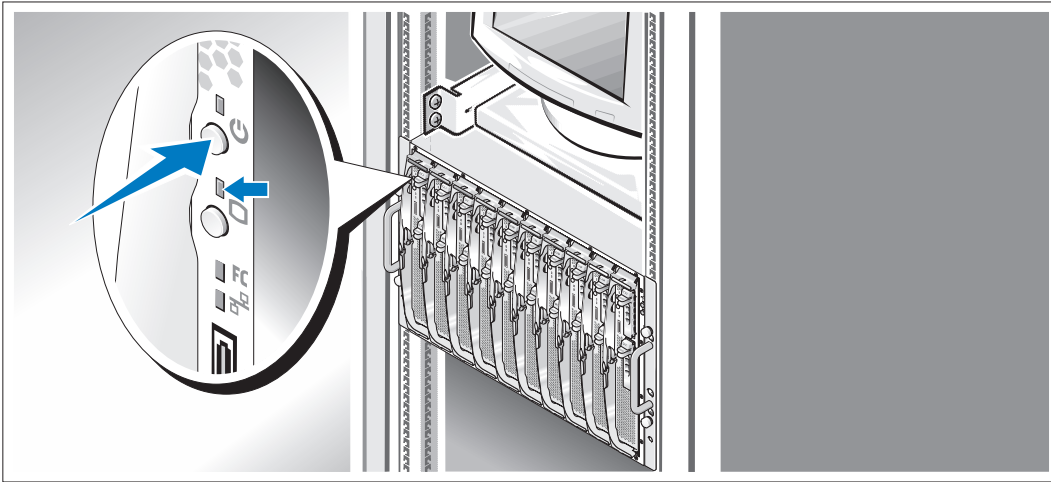
- 6 Connect the system's power cable(s) to the system. Next, plug the other end of the cable into a grounded electrical outlet or a separate power source such as an uninterruptible power supply (UPS) or a power distribution unit (PDU). Connect the monitor's power cable to a grounded electrical outlet.

Turn on the System and Monitor (Optional)



- 7 Press the power button on the chassis and the monitor. The power indicators should light. Adjust the monitor's controls until the displayed image is satisfactory.

Turn on the Server Modules



- 8 Press the power button on each server module, or power on the modules using the systems management software.

The KVM indicators on the server modules identify which server module video is displayed.

Adjust the monitor's controls until the displayed image is satisfactory.

Complete the Operating System Setup

If you purchased a preinstalled operating system, see the operating system documentation that ships with your system. To install an operating system for the first time, see the *Quick Installation Guide*. Be sure the operating system is installed before installing hardware or software not purchased with the system.

Technical Specifications

Server Module

Processor	
Processor type	Up to two Intel Xeon Processor 5000 Sequence

Memory	
Architecture	FBD DDR II DIMMs, with two-way interleaving, rated for 533- or 677-MHz (when available) operation
Memory module sockets	Eight 240-pin
Memory module capacities	256 MB, 512 MB, 1 GB, 2 GB, or 4 GB
Minimum RAM	512 MB
Maximum RAM	32 GB

Drives	
Hard Drives	
SAS configuration	One or two 2.5-inch hot-pluggable hard drives
SATA configuration	One or two 2.5-inch hot-pluggable hard drives
	NOTE: SAS and SATA hard drives cannot be mixed within a server module.

Connectors	
Externally accessible	
Front	
Custom	Supports two USB devices and video via custom cable

Video	
Video type	ATI ES1000 video controller
Video memory	16 MB

Physical

Height	28.575 cm (11.25 in)
Width	4.241 cm (1.67 in)
Depth	50.8 cm (20 in)
Weight (maximum configuration)	7.257 kg (16 lb)

Battery

Server module battery	CR 2032 3.0-V lithium ion coin cell
-----------------------	-------------------------------------

System

System Enclosure

Height	31.038 cm (12.22 in)
Width	42.519 cm (16.74 in)
Depth	76.2 cm (30 in)
Weight (maximum configuration)	129.274 kg (285 lb)

Power Supply Module

AC power supply (per power supply)

Wattage	2100 W
Voltage	170–264 VAC, 50/60 Hz, 15.8 A at 170 VAC, 9.9 A at 264 VAC
Heat dissipation	3480 BTU/hr. maximum
Maximum inrush current	Under typical line conditions and over the entire system ambient operating range, the inrush current may reach 55 A per power supply for 10 ms or less.

Physical

Height	9.70 cm (3.82 in)
Width	12.90 cm (5.08 in)
Depth	23.01cm (9.06 in)
Weight	3.288 kg (7.25 lb)

Fan Module

Physical

Height	14.732 cm (5.8 in)
Width	15.748 cm (6.2 in)
Depth	27.305 cm (10.75 in)
Weight	2.948 kg (6.5 lb)

KVM Module

Externally accessible connectors

Custom	Custom cable used for two PS/2 and one video
ACI port	RJ-45 (Avocent Analog KVM switch only)
Ethernet	RJ-45 (Avocent Digital Access KVM switch only)

Physical

Height	2.54 cm (1 in)
Width	5.334 cm (2.1 in)
Depth	28.194 cm (11.1 in)
Weight	0.272 kg (.6 lb)

DRAC/MC Module

Externally accessible connectors

Remote management	Dedicated 10/100 RJ-45 (for integrated Ethernet remote access controller)
Serial	9-pin, DTE, 16550-compatible

Battery

Module battery	CR 2032 3.0-V lithium ion coin cell
----------------	-------------------------------------

Physical

Height	2.54 cm (1 in)
Width	7.493 cm (2.95 in)
Depth	26.03 cm (10.35 in)
Weight	0.363 kg (.8 lb)

PowerConnect 5316M Ethernet Switch Module

Externally accessible connectors

Gb 10/100/1000 Mbps Ethernet	Six autonegotiating RJ-45 uplinks
------------------------------	-----------------------------------

Physical

Height	3.302 cm (1.3 in)
Width	13.081 cm (5.15 in)
Depth	27.432 cm (10.8 in)
Weight	0.816 kg (1.8 lb)

Gb Ethernet Pass-Through Module

Externally accessible connectors

Ethernet	Ten RJ-45 uplinks (for integrated 1-Gbps NICs)
----------	--

NOTE: Pass-through uplinks support 1000 Mbps connection only.

Physical

Height	3.302 cm (1.3 in)
Width	13.081 cm (5.15 in)
Depth	27.432 cm (10.8 in)
Weight	0.816 kg (1.8 lb)

Fibre Channel Pass-Through Module

Externally accessible connectors

Fibre Channel transceiver	Ten 76-pin, 3.5 Gbps, GPIO transceiver receptacles
---------------------------	--

Physical

Height	3.302 cm (1.3 in)
Width	13.081 cm (5.15 in)
Depth	27.432 cm (10.8 in)
Weight	0.816 kg (1.8 lb)

Fibre Channel Switch Module

Externally accessible connectors

Fibre Channel	Four universal (E, F, and FL) autosensing ports
1/2/4 Gb/s Ethernet	RJ-45

Physical

Height	3.302 cm (1.3 in)
Width	13.081 cm (5.15 in)
Depth	27.432 cm (10.8 in)
Weight	1.06 kg (2.35 lb)

Infiniband Pass-Through Module

Externally accessible connectors

Infiniband	Ten 4X ports
------------	--------------

Physical

Height	3.302 cm (1.3 in)
Width	13.081 cm (5.15 in)
Depth	27.432 cm (10.8 in)
Weight	1.8 kg (4 lb)

Environmental

NOTE: For additional information about environmental measurements for specific system configurations, see www.dell.com/environmental_datasheets. The system is not for use in an office environment.

Temperature

Operating

10° to 35°C (50° to 95°F)

NOTE: Decrease the maximum temperature by 1°C (1.8°F) per 300 m (985 ft) above 900 m (2955 ft).

Storage

-40° to 65°C (-40° to 149°F)

Relative humidity

Operating

8% to 85% (noncondensing) with a maximum humidity gradation of 10% per hour

Storage

5% to 95% (noncondensing)

Maximum vibration

Operating

0.25 G at 3–200 Hz for 15 min

Storage

0.5 G at 3–200 Hz for 15 min

Maximum shock

Operating

One shock pulse in the positive z axis (one pulse on each side of the system) of 41 G for up to 2 ms

Storage

Six consecutively executed shock pulses in the positive and negative x, y, and z axes (one pulse on each side of the system) of 71 G for up to 2 ms

Altitude

Operating

-16 to 3048 m (-50 to 10,000 ft)

Storage

-16 to 10,600 m (-50 to 35,000 ft)

系统使用入门

注、注意和警告



注：注表示可以帮助您更好地使用计算机的重要信息。



注意：注意表示可能会损坏硬件或导致数据丢失，并告诉您如何避免此类问题。



警告：警告表示存在可能导致财产损失、人身伤害或死亡的潜在危险

本说明文件中的信息如有更改，恕不另行通知。

© 2006 Dell Inc. 版权所有，翻印必究。

未经 Dell Inc. 书面许可，严禁以任何形式进行复制。

本文中使用的商标：*Dell*、*DELL* 徽标和 *Dell OpenManage* 是 Dell Inc. 的商标；*Microsoft* 和 *Windows* 是 Microsoft Corporation 的注册商标，*Windows Server* 是 Microsoft Corporation 的商标；*Intel* 和 *Xeon* 是 Intel Corporation 的注册商标；*SUSE* 是 Novell, Inc. 的注册商标；*Red Hat* 是 Red Hat, Inc. 的注册商标。

本文件中提及的其它商标和产品名称是指拥有相应商标和名称的公司或其制造的产品。Dell Inc. 对本公司的商标和产品名称之外的其它商标和产品名称不拥有任何专有权。

型号：BMX

2006 年 1 月


P/N YC631

修订版 A00

系统配置

本节介绍系统的主要硬件和软件配置。还介绍了有关在安装系统时可能需要的其它说明文件的信息，以及如何获得技术帮助的信息。

- 支持最多十个服务器模块。机箱可以支持一至十个服务器模块。（如果机箱中安装的服务器模块少于十个，则需要使用服务器模块挡片来确保适当的冷却。）
- Dell™ 远程访问控制器 / 模块化机箱 (DRAC/MC)，可以提供对系统管理软件功能的访问。
 - 要访问系统管理功能，请在串行管理端口与外部 PC 之间连接随系统提供的虚拟调制解调器电缆。您还可以通过连接至 RJ-45 管理端口的 Web 浏览器获得系统管理信息。系统管理软件可以监测系统和服务器的状态。
 - 嵌入式系统管理电路，可以监测系统风扇的运行、系统临界电压和温度。系统管理电路与系统管理软件配合工作。
- 支持 I/O 连接，包括通道模块和网络交换机模块。最多可安装四个 I/O 模块。（如果安装的模块少于四个，则需要使用挡片 I/O 模块来确保适当的冷却。）服务器模块中安装的可选子卡可以启用 I/O 连接。
- 两个热插拔系统风扇模块。每个风扇模块均有两个可更换风扇。
- 两个 2100 瓦、热插拔电源设备和两个电源设备挡片，或者四个 2100 瓦、热插拔电源设备。两个电源设备为系统提供电源；两个附加电源设备提供冗余。


 **注意：**不支持 1200 瓦电源设备。

服务器模块部件


- 一个或两个 Intel® Xeon® 处理器 5000 序列。
- 支持对称多处理 (SMP)，对称多处理通过在独立的处理器之间分配处理器操作，从而极大地改善了系统的整体性能。要使用此功能，必须使用支持多处理的操作系统。
- 至少 512 MB 的 533-MHz 或 677-MHz（可用时）DDR II 全缓冲 DIMM (FBD) 内存模块，通过在系统板上的八个内存模块插槽中安装 256 MB、512 MB、1 GB 和 2 GB 或 4-GB 双向交叉存取内存模块组合，最大可升级至 32 GB。

如果所有八个内存模块插槽中安装的内存模块完全相同，系统还支持内存冗余或内存镜像功能。

- 最多支持两个 2.5 英寸 SAS 或 SATA 热插拔硬盘驱动器。

 **注：**在服务器模块内不能混合使用 SAS 和 SATA 硬盘驱动器。

- 集成的内部驱动器镜像，允许通过集成的 RAID 控制器镜像两个磁盘。
- 使用自定义电缆，外部端口支持 USB 设备。USB 设备包括鼠标、键盘、快擦写驱动器、1.44 MB 3.5 英寸软盘驱动器或光盘驱动器。

 **注：**仅支持 Dell 提供的 USB 软盘驱动器和光盘驱动器；请仅使用长度不超过 3 米（118.1 英寸）的 USB 2.0 兼容电缆。

- 集成的 VGA 兼容视频子系统，配备 ATI ES1000 视频控制器。此视频子系统包含 16 MB 的 SDRAM 视频内存（不可升级）。最大分辨率为 1280 x 1024 x 65,000 色（逐行扫描）。
- 系统管理电路，可监测系统风扇的运行以及系统临界电压和温度。系统管理电路需要与系统管理软件配合工作。

有关特定配置的详细信息，请参阅“技术规格”。

您的系统附带以下软件：


- 系统设置程序，用于快速查看和更改系统配置信息。有关此程序的详情，请参阅《硬件用户手册》中的“使用系统设置程序”。
- 增强的安全保护功能，包括系统密码和设置密码，可通过系统设置程序进行设置。
- 系统诊断程序，用于评估系统组件和设备。有关使用系统诊断程序的信息，请参阅《硬件用户手册》中的“运行系统诊断程序”。
- 视频驱动程序，用于以高分辨率模式显示多种常见应用程序。
- 系统管理软件和说明文件。系统管理软件用于管理和监测各个服务器模块，以及从整体上管理和监测系统（包括所有服务器模块、网络交换机模块、电源设备和风扇）。系统管理软件可以在本地管理系统，也可以通过网络远程管理系统。Dell 建议您使用此系统附带的系统管理软件。
- 可选的解决方案软件，用于 Web 主机服务、高速缓存或负载均衡。有关详情，请参阅解决方案软件说明文件。

支持的操作系统

您的系统支持以下操作系统：


- Microsoft® Windows® 2000 Server 和 Advanced Server（带 Service Pack 4 或更高版本）
- Microsoft Windows Server™ 2003 标准版、企业版和 Web 版（带 Service Pack 1 或更高版本）
- Microsoft Windows Server 2003 标准版和企业版（64 位）
- 用于 Intel x86 的 Red Hat® Enterprise Linux AS、ES 和 WS（第 3 版）
- 用于 Intel x86 的 Red Hat Enterprise Linux AS、ES 和 WS（第 4 版）
- 用于 Intel 64 位扩展内存技术 (Intel EM64T) 的 Red Hat Enterprise Linux AS、ES 和 WS（第 4 版）
- 用于 Intel EM64T 的 SuSE® Linux Enterprise Server 9

您可能需要的其它信息

 **警告：**《产品信息指南》，提供了重要的安全信息和管制信息。保修信息可能包括在该说明文件中，也可能作为单独的说明文件提供。

- 随机架解决方案附带的《机架安装指南》或《机架安装说明》，介绍了如何在机架中安装系统。
- 《硬件用户手册》提供了有关系统部件的信息，并介绍了如何排除系统故障以及如何安装或更换系统组件。
- 《Dell OpenManage 底板管理控制器用户指南》，提供了有关使用 BMC 的详细信息。
- 《Dell 远程访问控制器 / 模块化机箱用户指南》，提供了有关使用系统的远程管理功能的详细信息。
- 《配置指南》提供了有关配置系统以及系统中的服务器模块的信息。

- 随系统附带的 CD 提供了用于配置和管理系统的说明文件和工具。
- 系统管理软件说明文件，介绍了软件的功能、要求、安装和基本操作。
- 操作系统说明文件，介绍了如何安装（如果有必要）、配置和使用操作系统软件。
- 单独购买的任何组件所附带的说明文件，提供了有关配置和安装这些选件的信息。
- 系统有时附带更新，用于说明对系统、软件和 / 或说明文件所做的更改。

 **注：**请始终检查 support.dell.com 上的更新信息并首先进行阅读，因为该网站上的信息常常会取代其它说明文件中的信息。

- 系统可能附带发布注释或自述文件，以提供系统或说明文件的最新更新内容，或者为有经验的用户或技术人员提供高级技术参考资料。

获得技术帮助

如果您对本指南中的步骤有疑问，或系统运行无法达到预期效果，请参阅《硬件用户手册》。

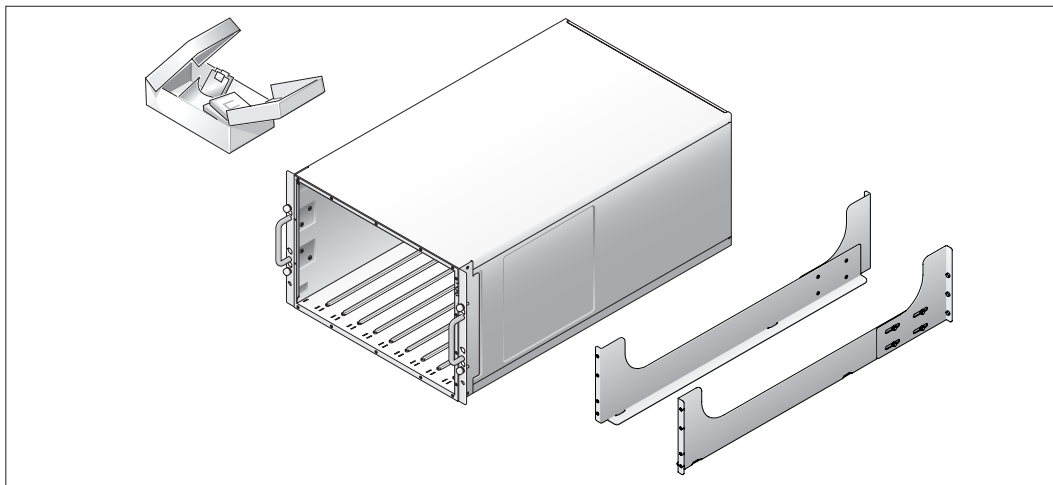
Dell 可以提供企业培训与认证；有关详情，请访问 www.dell.com/training。并非在所有国家和地区均可提供此服务。

安装和配置

 **警告：**在执行以下过程之前，请阅读并遵循《产品信息指南》中的安全说明和重要的管制信息。

本节介绍初次安装系统时所需的步骤。

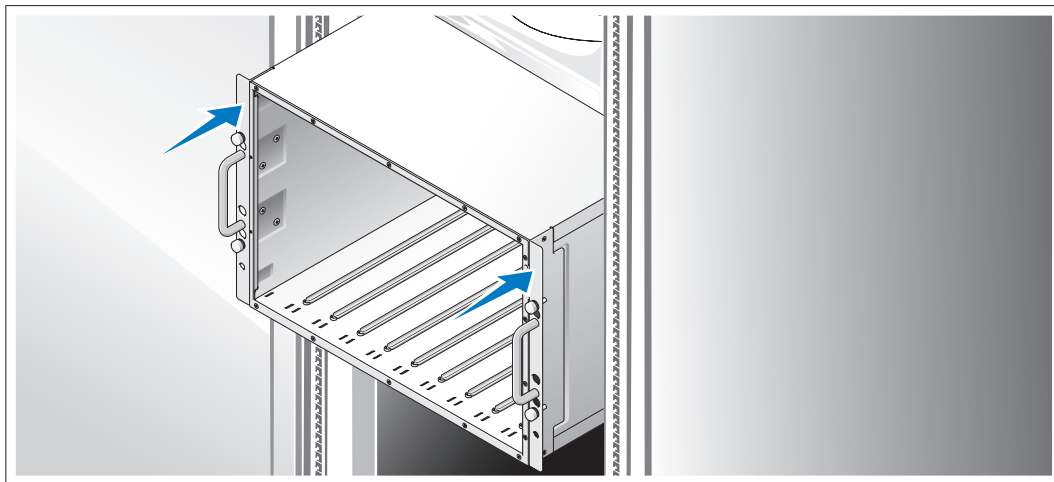
打开系统包装



- 1 打开系统包装并识别每项物品。

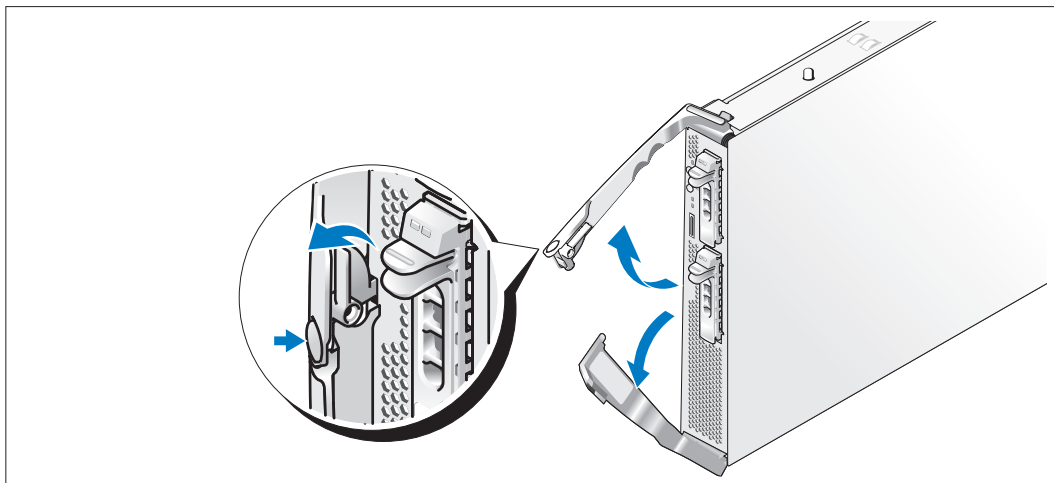
妥善保管所有运输包装材料，以备将来使用。

将交换机安装在机架中

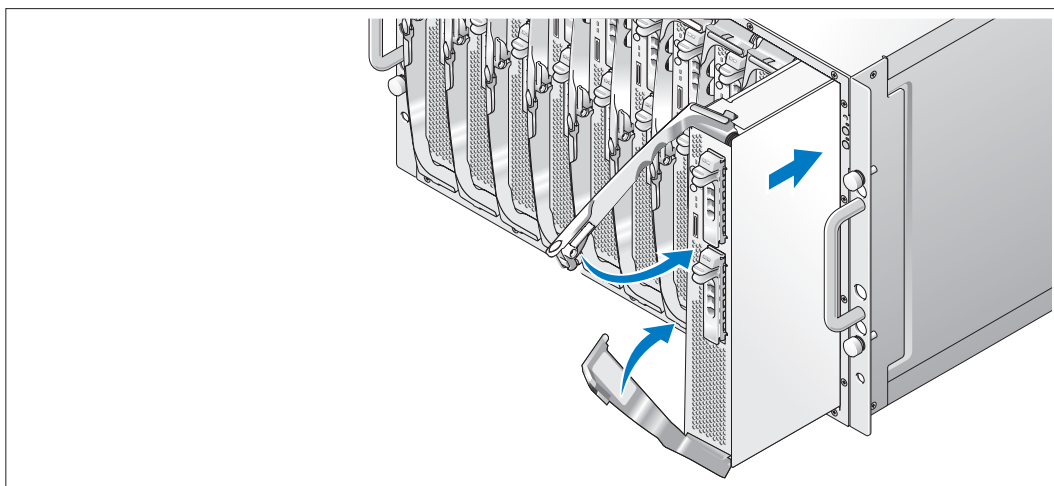


- 2 在仔细阅读了系统的机架安装说明文件中的“安全说明”之后，在机架中安装系统。
有关在机架中安装系统的说明，请参阅机架安装说明文件。

安装服务器模块

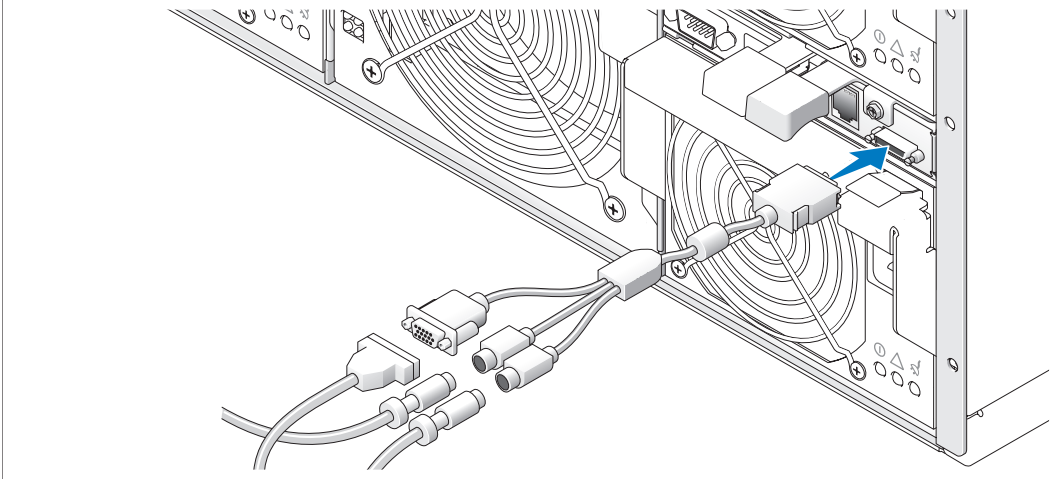


- 3** 在安装模块之前，调整好每个模块的方向，使上部手柄带有徽标且模块边缘“侧立”朝上。按下上部手柄内侧的释放闩锁。拉出上下手柄。



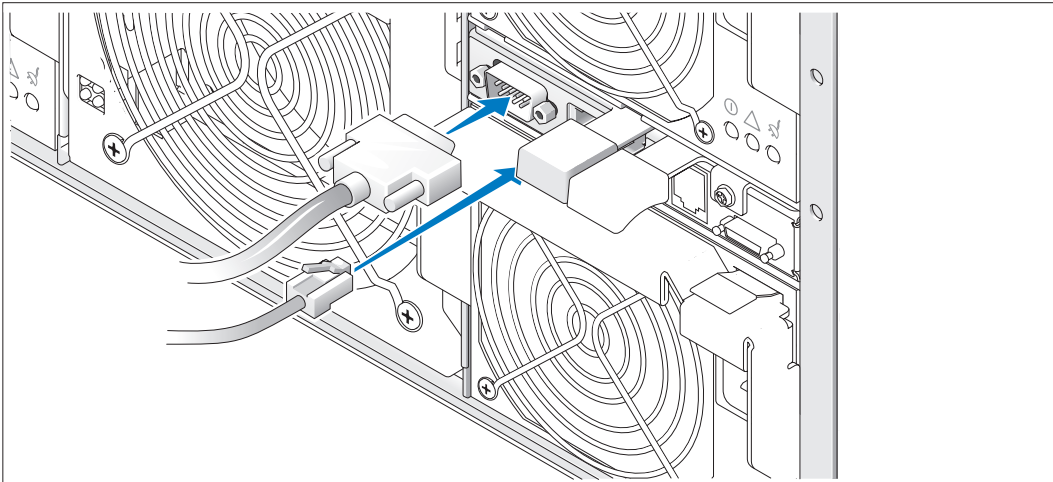
从左到右将模块滑入机箱中。当打开的手柄接触到机箱前面板时，开始同时旋转两个手柄（下部手柄首先闭合），直到下部手柄完全与模块的前面板对齐。继续向下旋转上部手柄，直到与下部手柄对齐。（当手柄完全闭合时，释放闩锁将确保两个手柄与前面板之间牢固连接。）

连接键盘、鼠标和显示器



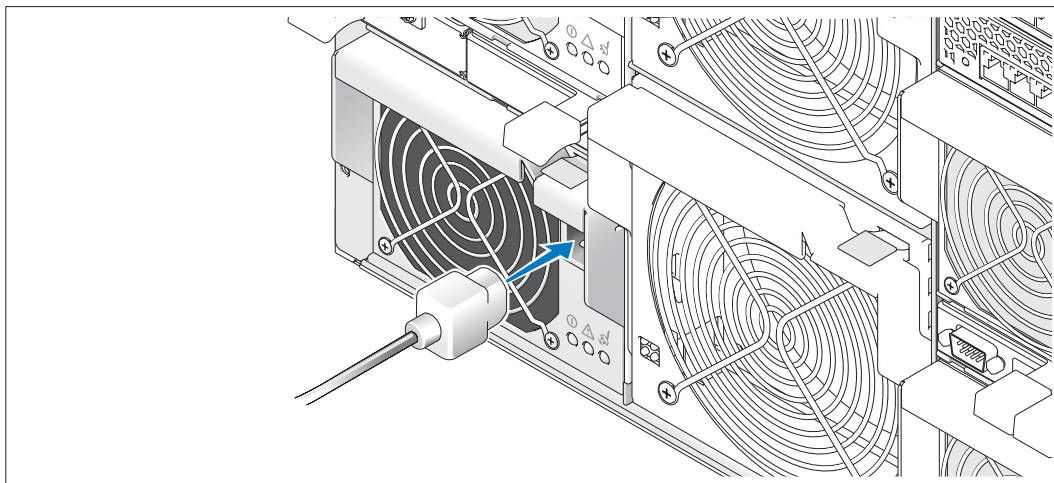
- 4 将自定义电缆连接到 KVM 模块，然后将键盘、鼠标和显示器（可选）连接到自定义电缆。

连接管理系统



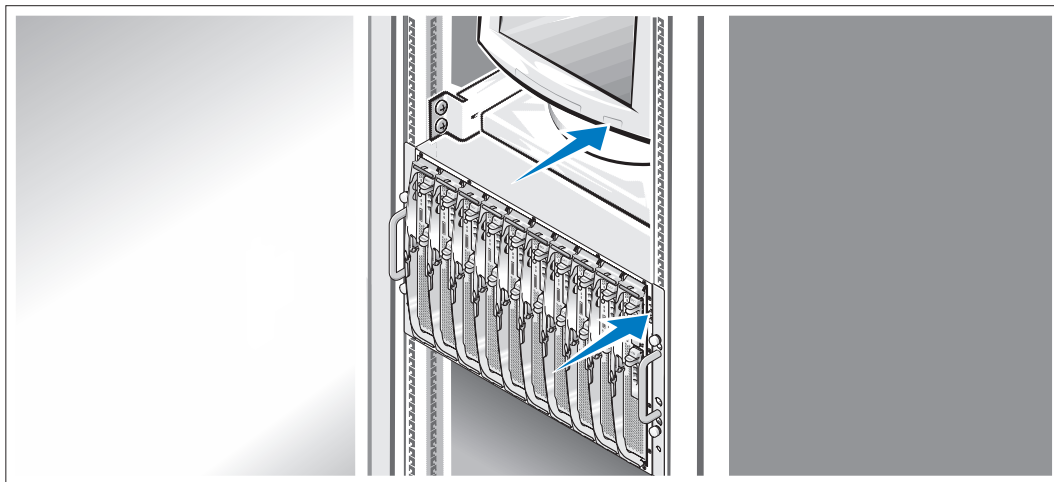
- 5 将串行电缆和网络电缆从管理系统连接到 DRAC/MC 模块。

将系统和显示器（可选）连接到电源



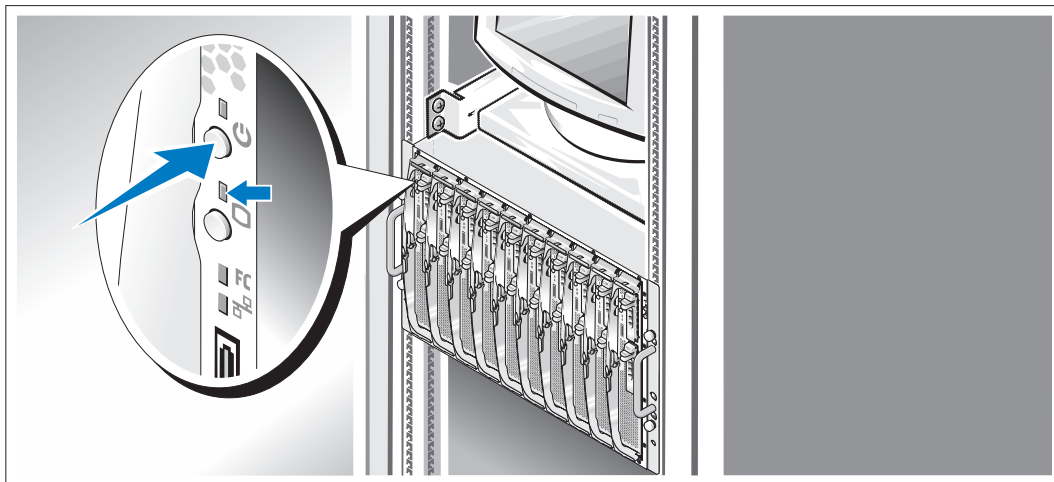
- 6 将系统的电源电缆连接至系统。接着，将电缆的另一端插入接地的电源插座或单独的电源，如不间断电源设备 (UPS) 或配电装置 (PDU)。将显示器的电源线连接至接地插座。

打开系统和显示器（可选）



- 7 按下机箱和显示器上的电源按钮。电源指示灯将会亮起。调节显示器的控制按钮直至获得满意的显示图像。

打开服务器模块



- 8 按每个服务器模块上的电源按钮，或者使用系统管理软件打开模块的电源。
服务器模块上的 KVM 指示灯可确定所显示的是哪个服务器模块的视频。
调节显示器的控制按钮直至获得满意的显示图像。

完成操作系统安装

如果购买了预安装的操作系统，请参阅随系统提供的操作系统说明文件。如果是初次安装操作系统，请参阅《快速安装指南》。在安装非随系统购买的硬件或软件之前，请确保安装了操作系统。

技术规格

服务器模块

处理器	
处理器类型	最多两个 Intel Xeon 处理器 5000 序列

内存	
体系结构	FBD DDR II DIMM、双向交叉存取、额定操作速率为 533- 或 677-MHz（可用时）
内存模块插槽	八个 240 针
内存模块容量	256 MB、512 MB、1 GB、2 GB 或 4 GB
最小 RAM	512 MB
最大 RAM	32 GB

驱动器	
硬盘驱动器	
SAS 配置	一个或两个 2.5 英寸热插拔硬盘驱动器
SATA 配置	一个或两个 2.5 英寸热插拔硬盘驱动器
	注： 在服务器模块内不能混合使用 SAS 和 SATA 硬盘驱动器。

连接器	
外部可抽换	
正面	
自定义	支持两个 USB 设备和视频（通过自定义电缆）

视频	
视频类型	ATI ES1000 视频控制器
视频内存	16 MB

物理规格

高度	28.575 厘米 (11.25 英寸)
宽度	4.241 厘米 (1.67 英寸)
厚度	50.8 厘米 (20 英寸)
重量 (最大配置)	7.257 千克 (16 磅)

电池

服务器模块电池	CR 2032 3.0 V 锂离子币形电池
---------	-----------------------

系统

系统外壳

高度	31.038 厘米 (12.22 英寸)
宽度	42.519 厘米 (16.74 英寸)
厚度	76.2 厘米 (30 英寸)
重量 (最大配置)	129.274 千克 (285 磅)

电源设备模块

交流电源设备 (每个电源设备)

功率	2100 W
电压	170–264 VAC, 50/60 Hz, 170 VAC 时为 15.8 A, 264 VAC 时为 9.9 A
散热	最大 3480 BTU/ 小时
最大涌入电流	在典型的线路条件下和整个系统运行范围内, 每个电源设备在 10 毫秒或更短时间内的涌入电流可达 55 A。

物理规格

高度	9.70 厘米 (3.82 英寸)
宽度	12.90 厘米 (5.08 英寸)
厚度	23.01 厘米 (9.06 英寸)
重量	3.288 千克 (7.25 磅)

风扇模块

物理规格

高度	14.732 厘米 (5.8 英寸)
宽度	15.748 厘米 (6.2 英寸)
厚度	27.305 厘米 (10.75 英寸)
重量	2.948 千克 (6.5 磅)

KVM 模块

外部可抽换连接器

自定义	用于两个 PS/2 和一个视频的自定义电缆
ACI 端口	RJ-45 (仅限 Avocent 模拟 KVM 切换器)
以太网	RJ-45 (仅限 Avocent 数字访问 KVM 切换器)

物理规格

高度	2.54 厘米 (1 英寸)
宽度	5.334 厘米 (2.1 英寸)
厚度	28.194 厘米 (11.1 英寸)
重量	0.272 千克 (.6 磅)

DRAC/MC 模块

外部可抽换连接器

远程管理	专用 10/100 RJ-45 (用于集成的以太网远程访问控制器)
串行	9 针、DTE、16550 兼容连接器

电池

模块电池	CR 2032 3.0 V 锂离子币形电池
------	-----------------------

物理规格

高度	2.54 厘米 (1 英寸)
宽度	7.493 厘米 (2.95 英寸)
厚度	26.03 厘米 (10.35 英寸)
重量	0.363 千克 (.8 磅)

PowerConnect 5316M 以太网交换机模块

外部可抽换连接器

Gb 10/100/1000 Mbps 以太网 六条自动协商 RJ-45 上行链路

物理规格

高度 3.302 厘米 (1.3 英寸)

宽度 13.081 厘米 (5.15 英寸)

厚度 27.432 厘米 (10.8 英寸)

重量 0.816 千克 (1.8 磅)

千兆位以太网通道模块

外部可抽换连接器

以太网 十条 RJ-45 上行链路 (用于集成 1-Gbps NIC)

注： 通道上行链路只支持 1000 Mbps 连接。

物理规格

高度 3.302 厘米 (1.3 英寸)

宽度 13.081 厘米 (5.15 英寸)

厚度 27.432 厘米 (10.8 英寸)

重量 0.816 千克 (1.8 磅)

光纤信道通道模块

外部可抽换连接器

光纤信道收发器 十个 76 针、3.5 Gbps、GPIO 收发器插槽

物理规格

高度 3.302 厘米 (1.3 英寸)

宽度 13.081 厘米 (5.15 英寸)

厚度 27.432 厘米 (10.8 英寸)

重量 0.816 千克 (1.8 磅)

光纤信道交换机模块

外部可抽换连接器

光纤信道	四个通用 (E、F 和 FL) 自动感应端口
1/2/4 Gb/s 以太网	RJ-45

物理规格

高度	3.302 厘米 (1.3 英寸)
宽度	13.081 厘米 (5.15 英寸)
厚度	27.432 厘米 (10.8 英寸)
重量	1.06 千克 (2.35 磅)

Infiniband 通道模块

外部可抽换连接器

Infiniband	十个 4X 端口
------------	----------

物理规格

高度	3.302 厘米 (1.3 英寸)
宽度	13.081 厘米 (5.15 英寸)
厚度	27.432 厘米 (10.8 英寸)
重量	1.8 千克 (4 磅)

环境参数

注： 有关特定系统配置的环境参数规格的有关信息，请参阅 www.dell.com/environmental_datasheets。此系统不适用于在办公环境中使用。

温度

运行时 10° 至 35°C (50° 至 95°F)
注： 在 900 米 (2955 英尺) 以上，每升高 300 米 (985 英尺) 温度最多下降 1°C (1.8°F)。

存放时 -40° 至 65°C (-40° 至 149°F)

相对湿度

运行时 8% 至 85% (非冷凝)，最大湿度变化梯度为每小时 10%

存放时 5% 至 95% (非冷凝)

最大振动

运行时 在 3 - 200 Hz、.25 G 时，可持续 15 分钟

存放时 在 3 - 200 Hz、0.5 G 时，可持续 15 分钟

最大撞击

运行时 z 轴正方向上可承受一个 41 G 的撞击脉冲 (系统每一面承受一个脉冲)，最多可持续 2 毫秒

存放时 x、y 和 z 轴正负方向上可承受连续六个 71 G 的撞击脉冲 (系统每一面承受一个脉冲)，最多可持续 2 毫秒




海拔高度

运行时 -16 至 3048 米 (-50 至 10,000 英尺)

存放时 -16 至 10,600 米 (-50 至 35,000 英尺)

はじめに

メモ、注意、警告

-  **メモ**：コンピュータを使いやすくするための重要な情報を説明しています。
-  **注意**：ハードウェアの損傷やデータの損失の可能性を示し、その危険を回避するための方法を説明しています。
-  **警告**：物的損害、けが、または死亡の原因となる可能性があることを示します。

本書の内容は予告なく変更されることがあります。
© 2006 すべての著作権は Dell Inc. にあります。

Dell Inc. の書面による許可のない複製は、いかなる形態においても厳重に禁じられています。

本書で使用されている商標について：Dell、DELL ロゴ、および Dell OpenManage は Dell Inc. の商標です。Microsoft および Windows は Microsoft Corporation の登録商標です。Windows Server は Microsoft Corporation の商標です。Intel および Xeon は Intel Corporation の登録商標です。SUSE は Novell, Inc. の登録商標です。Red Hat は Red Hat, Inc. の登録商標です。

本書では、必要に応じて上記以外の商標や会社名が使用されている場合がありますが、これらの商標や会社名は、一切 Dell Inc. に所属するものではありません。

Model BMX

2006 年 1 月


P/N YC631

Rev. A00

システムの機能

本項では、お使いのシステムのハードウェアとソフトウェアの主要な機能について説明します。また、システムをセットアップする際に必要なその他のマニュアルの情報や、テクニカルサポートへの連絡方法についても説明します。



- サーバーモジュールを 10 台までサポートします。シャーシは 1 ～ 10 台のサーバーモジュールをサポートできます。シャーシに取り付けられたサーバーモジュールが 10 台未満の場合は、温度の上昇を防ぐためにダミーモジュールが必要です。
- DRAC/MC (Dell™ Remote Access Controller/Modular Chassis) を使って、システム管理ソフトウェアの機能を利用することができます。
 - システム管理機能を利用するには、シリアル管理ポートと外部 PC の間にシステムに付属の nul モデムケーブルを接続します。RJ-45 管理ポートに接続されたウェブブラウザを使って、システム管理情報を取得することもできます。システム管理ソフトウェアは、システムとサーバーモジュールのステータスを監視します。
 - 組み込み型システム管理回路は、システムファンの動作、重要なシステム電圧と温度を監視します。システム管理回路は、システム管理ソフトウェアと連動します。
- パススルーモジュールおよびネットワークスイッチモジュールを含む I/O 接続をサポートします。I/O モジュールは 4 つまで取り付けることができます。取り付けられた I/O モジュールが 4 つ未満の場合は、温度の上昇を防ぐためにダミーモジュールが必要です。サーバーモジュールに取り付けられているオプションのドーターカードにより、I/O 接続が可能になります。
- ホットプラグ対応システムファンモジュールが 2 つ。各ファンアモジュールには、交換可能なファンが 2 つ搭載されています。
- 2100 W、ホットプラグ対応電源装置 2 台、および電源装置ダミー 2 つ。または 2100 W、ホットプラグ対応電源装置 4 台。2 台の電源装置はシステムに電力を供給し、追加の 2 台の電源装置は冗長性を提供します。

 **注意：**1200 W の電源装置はサポートされていません。

サーバーモジュールの機能

- Intel® Xeon® Processor 5000 Sequence が 1 つまたは 2 つ。
- SMP (対称型マルチプロセッシング) をサポート。SMP は、独立した複数のプロセッサに処理を分散することにより、システム全体の性能を飛躍的に高めます。この機能を活用するには、マルチプロセッシング対応のオペレーティングシステムを使用する必要があります。
- 最小メモリ容量は 512 MB。533-MHz または 677-MHz (利用可能な場合) の DDR II 完全バッファ型 DIMM (FBD) メモリモジュールを使用します。システム基板の 8 つのソケットに 256 MB、512 MB、1 GB、2 GB、または 4 GB の 2 ウェイインタリーブメモリモジュールを組み合わせて取り付けすることで最大 32 GB にまで増設可能です。

8 つのメモリモジュールソケットすべてに同一のメモリモジュールを装着した場合は、メモリスペアリングまたはメモリミラーリングにも対応できます。

- ホットプラグ対応の 2.5 インチ SAS または SATA ハードドライブを 2 台までサポートします。
 **メモ**：1 台のサーバーモジュール内に SAS と SATA のハードドライブを混在させることはできません。
- 内蔵ドライブのミラーリングを利用すると、内蔵 RAID コントローラを介してディスク 2 台をミラーリングできます。
- カスタムケーブルを使用して USB デバイスをサポートする外部ポート。USB デバイスには、マウス、キーボード、フラッシュドライブ、1.44 MB の 3.5 インチディスクドライブ、または オプティカルドライブが含まれます。
 **メモ**：デルが提供している USB ディスクドライブとオプティカルドライブのみがサポートされます。長さが 3m 以下の USB 2.0 互換ケーブルのみを使用してください。
- ATI ES1000 ビデオコントローラ搭載の内蔵 VGA 互換ビデオサブシステム。このビデオサブシステムには、16 MB の SDRAM ビデオメモリが組み込まれています（アップグレード不可）。最大解像度は 1280 x 1024 x 65,000 色（ノンインタレース）です。
- 重要なシステム電圧と温度に加え、システムファンの動作も監視するシステム管理回路。システム管理回路は、システム管理ソフトウェアと連動して機能します。

それぞれの機能の詳細については、「仕様」を参照してください。

お使いのシステムには、次のソフトウェアが付属しています。


- システム設定情報をすばやく表示したり変更したりできる、セットアップユーティリティ。このプログラムの詳細については、『ハードウェアオーナーズマニュアル』の「セットアップユーティリティの使い方」を参照してください。
- セットアップユーティリティから利用可能な、システムパスワードおよびセットアップパスワードを含む強化されたセキュリティ機能。
- システムのコンポーネントおよびデバイスを評価するためのシステム診断プログラム。このプログラムの使い方については、『ハードウェアオーナーズマニュアル』の「システム診断プログラムの実行」を参照してください。
- 多くの一般的なアプリケーションプログラムを高解像度モードで表示するビデオドライバ。
- システム管理ソフトウェアおよびマニュアル。システム管理ソフトウェアは、個々のサーバーモジュール、ならびにサーバーモジュール全部、ネットワークスイッチモジュール、電源装置、およびファンを含む全体としてのシステムの管理と監視に利用されます。システム管理ソフトウェアは、ネットワーク上のシステムをローカルおよびリモートで管理します。このシステムに付属のシステム管理ソフトウェアをお使いになるようお勧めします。
- ウェブホスティング、キャッシング、またはロードバランシングに使用するオプションのソリューションソフトウェア。詳細については、ソリューションソフトウェアのマニュアルを参照してください。

サポートされるオペレーティングシステム

お使いのシステムでは、次のオペレーティングシステムをサポートしています。


- Service Pack 4 以降を適用した Microsoft® Windows® 2000 Server および Advanced Server
- Service Pack 1 以降を適用した Microsoft Windows Server™ 2003 Standard Edition、Enterprise Edition、および Web Edition
- Microsoft Windows Server 2003, Standard x64 Edition および Enterprise x64 Edition
- Red Hat® Enterprise Linux AS、ES、および WS (バージョン 3) for Intel x86
- Red Hat Enterprise Linux AS、ES、および WS (バージョン 4) for Intel x86
- Red Hat Enterprise Linux for Intel Extended Memory 64 Technology (Intel EM64T) AS、ES、および WS (バージョン 4)
- SuSE® Linux Enterprise Server 9 for Intel EM64T

その他の情報

 **警告：**『製品情報ガイド』には、安全および認可機関に関する情報が記載されています。保証に関する情報については、『サービス&サポートのご案内』を参照してください。

- システムをラックに取り付ける方法については、ラックに付属の『ラック取り付けガイド』に説明があります。
- 『ハードウェアオーナーズマニュアル』では、システムの機能、トラブルシューティング方法、およびコンポーネントの取り付けや交換の方法について説明しています。
- 『Dell OpenManage ベースボード管理コントローラユーザーズガイド』では、BMC の使い方を詳しく説明しています。
- 『Dell Remote Access Controller/Modular Chassis ユーザーズガイド』では、システムのリモート管理機能の使い方を詳しく説明しています。
- 『設定ガイド』では、システムとシステムに取り付けたサーバーモジュールの設定方法について説明します。
- システムに付属の CD には、システムの設定と管理に使用するマニュアルやツールが収録されています。
- システム管理ソフトウェアのマニュアルでは、システム管理ソフトウェアの機能、動作要件、インストール、および基本操作について説明しています。
- オペレーティングシステムのマニュアルでは、オペレーティングシステムソフトウェアのインストール手順 (必要な場合) や設定方法、および使い方について説明しています。
- システムとは別に購入した各種コンポーネントのマニュアル。これらのオプションを取り付けて設定する方法を説明しています。

- システム、ソフトウェア、またはマニュアルの変更に関して記載されたアップデート情報がシステムに付属していることがあります。

 **メモ**：アップデートには他の文書の内容を差し替える情報が含まれている場合がよくありますので、support.dell.com でアップデートがないかどうかを常に確認し、初めにお読みください。


- リリースノートまたは readme ファイルには、システムまたはマニュアルの最新のアップデート情報や、専門知識をお持ちのユーザーや技術者のための高度な技術情報が記載されています。

テクニカルサポートの利用法

このガイドの手順が理解できない場合やシステムが思ったとおりに動作しない場合は、『ハードウェアオーナーズマニュアル』を参照してください。

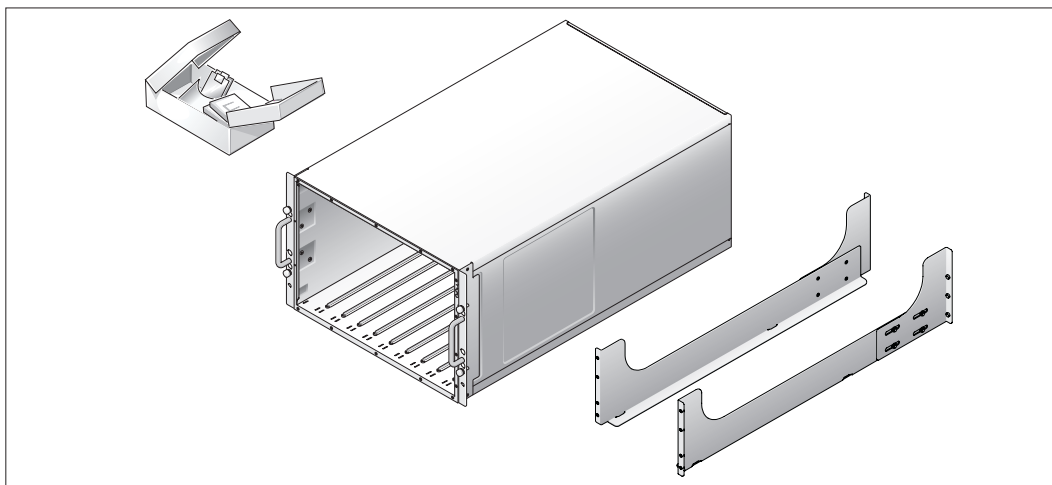
デルでは、企業向けのトレーニングと資格認証を実施しています。詳細については、www.dell.com/training を参照してください。このサービスは、ご利用いただけない地域があります。

取り付けと設定

 **警告**：次の手順を実行する前に、『製品情報ガイド』に記載されている安全にお使いいただくための注意事項と認可機関に関する情報をよく読み、指示に従ってください。

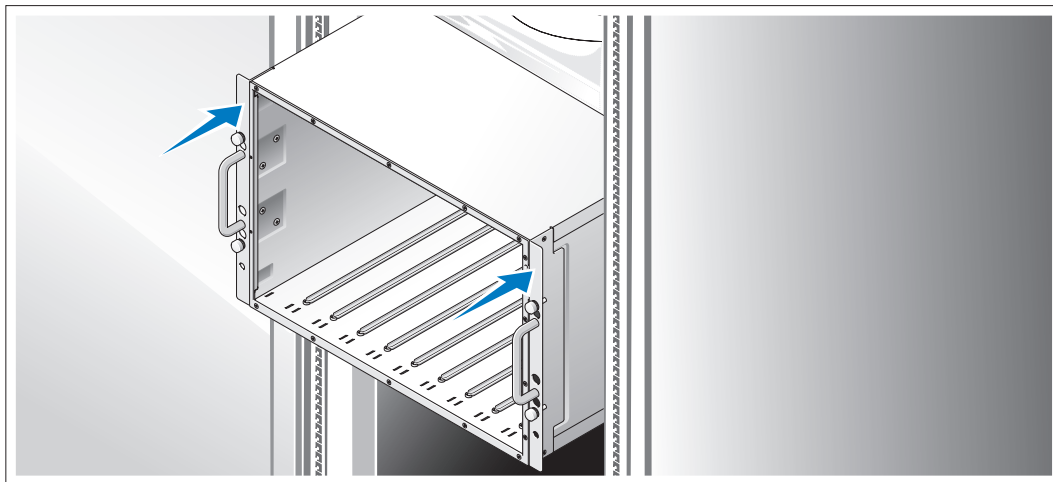
本項では、システムを初めてセットアップする際に必要な手順について説明します。

システムの開梱



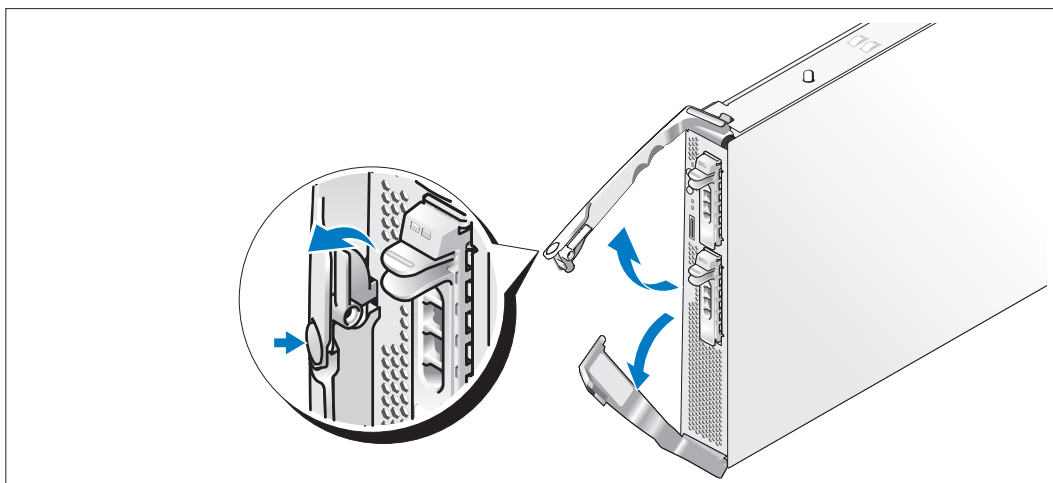
- 1 システムを箱から取り出し、同梱品がすべて揃っていることを確認します。後で必要になる場合があるので、梱包材と箱は保管しておいてください。

ラックへのシステムの取り付け

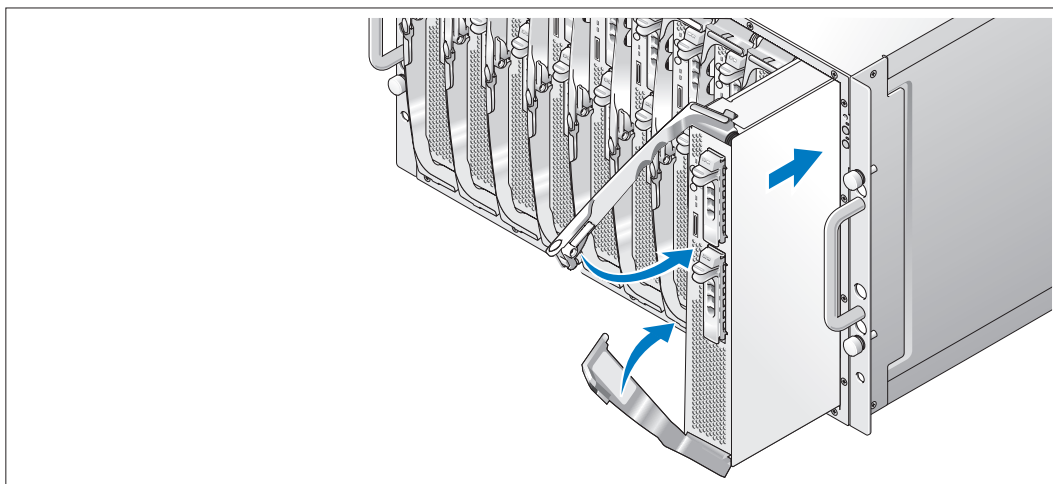


- ② お使いのシステムのラック取り付けガイドに記載されている「安全にお使いいただくために」を読まれたら、ラックにシステムを取り付けます。
システムをラックに取り付ける手順については、ラック取り付けガイドを参照してください。

サーバーモジュールの取り付け

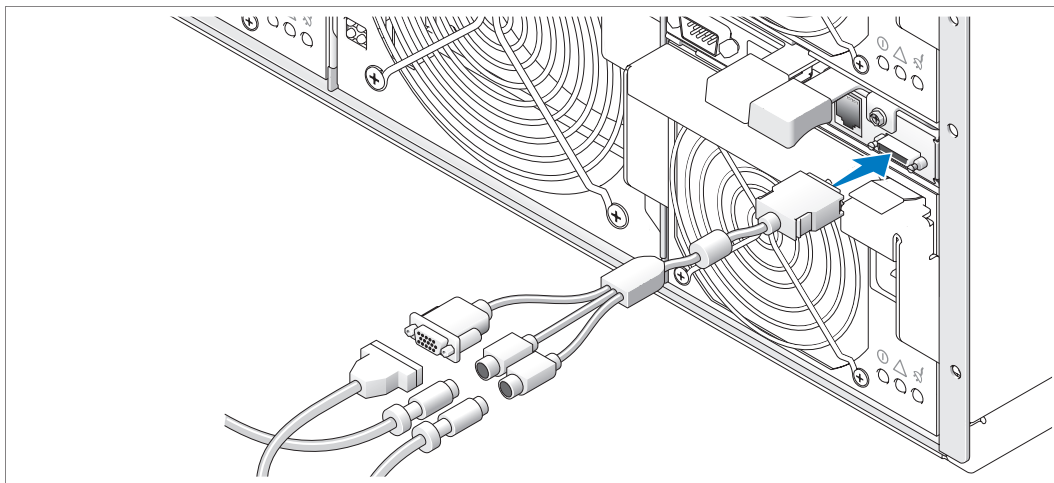


- ③ モジュールを取り付ける前に、ロゴが上ハンドルの位置に来て、モジュールの端の「TOP-SIDE」の文字が上向きになるように各モジュールを置きます。上ハンドルの内側にあるリリースラッチを押します。上ハンドルと下ハンドルを引き出します。



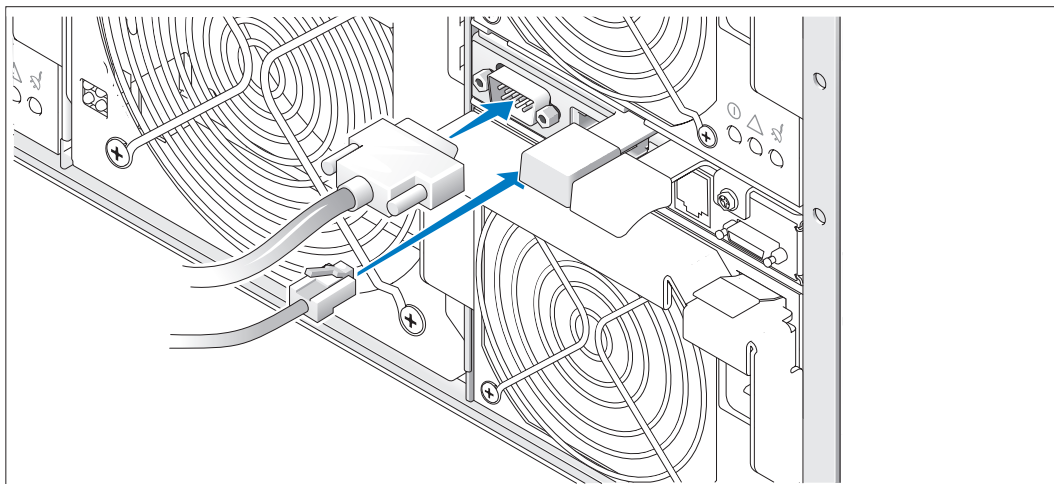
左から右の順にモジュールをシャーシに挿入して取り付けていきます。開いているハンドルがシャーシの正面パネルに接触したら、下ハンドルがモジュールの正面パネルと平行になるまで、両方のハンドルを一緒に閉じます（下ハンドルが先に閉じます）。上ハンドルが下ハンドルと平行になるまで、上ハンドルをさらに下側に閉じます。両方のハンドルが完全に閉じたら、リリースラッチによって正面パネルに固定されます。

キーボード、マウス、モニターの接続



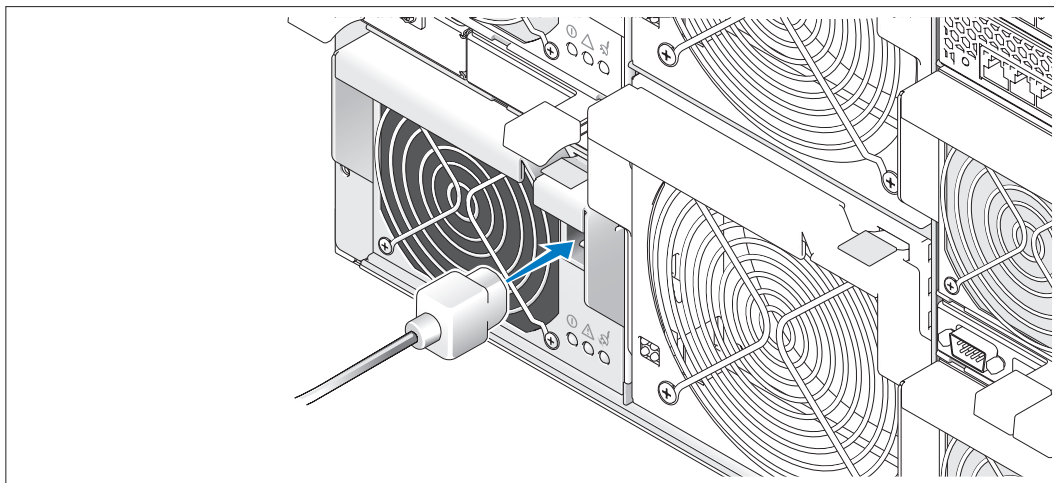
- 4 カスタムケーブルを KVM モジュールに接続し、キーボード、マウス、およびモニター（オプション）をカスタムケーブルに接続します。

管理システムの接続



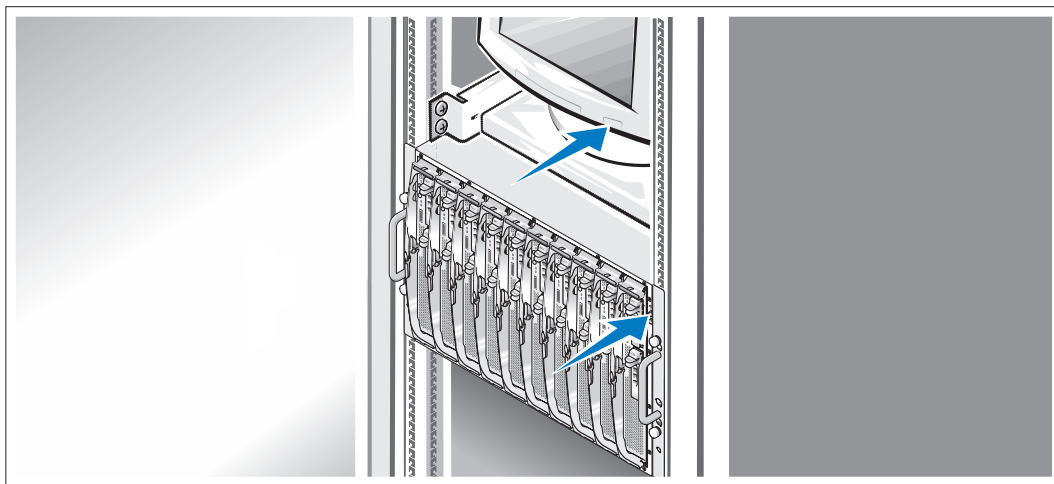
- 5 管理システムと DRAC/MC モジュールをシリアルケーブルとネットワークケーブルでつなぎます。

システムおよびモニター（オプション）を電源に接続



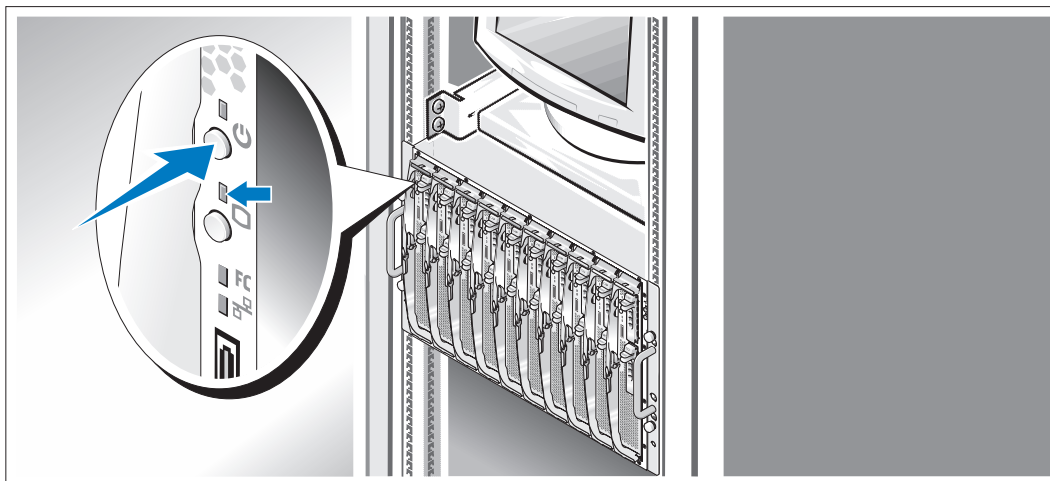
- ⑥ システムの電源ケーブルをシステムに接続します。電源ケーブルのもう一方の端を、アースされた電源コンセント、または UPS（無停電電源装置）や配電装置（PDU）などの別の電源に接続します。モニターの電源ケーブルをアースされた電源コンセントに接続します。

システムとモニター（オプション）の電源投入



- ⑦ シャーシとモニターの電源ボタンを押します。電源インジケータが点灯します。表示されたイメージが最適の状態になるまで、モニターのコントロールを調節します。

サーバーモジュールの電源投入



- 8 各サーバーモジュールの電源ボタンを押すか、またはシステム管理ソフトウェアを使用してモジュールの電源を入れます。

サーバーモジュールの KVM インジケータにより、どのサーバーモジュールのビデオが表示されているかがわかります。

表示されたイメージが最適の状態になるまで、モニターのコントロールを調節します。

オペレーティングシステムのセットアップの完了

システムにオペレーティングシステムがプリインストールされている場合は、システムに同梱のオペレーティングシステムのマニュアルを参照してください。オペレーティングシステムを初めてインストールする場合は、『クイックインストールガイド』を参照してください。システムとは別途に購入したハードウェアやソフトウェアのインストールは、オペレーティングシステムがインストール済みであることを確認してから行ってください。

仕様

サーバーモジュール

プロセッサ	
プロセッサの種類	Intel Xeon Processor 5000 Sequence が 1 つまたは 2 つ
メモリ	
アーキテクチャ	動作周波数 533 MHz または 677 MHz(利用可能な場合)の 2 ウェイインタリーブ対応 FBD DDR II DIMM
メモリモジュールソケット	240 ピン×8
メモリモジュール容量	256 MB、512 MB、1 GB、2 GB、または 4 GB
最小 RAM	512 MB
最大 RAM	32 GB
ドライブ	
ハードドライブ	
SAS 構成	ホットプラグ対応の 2.5 インチハードドライブ が 1 台または 2 台
SATA 構成	ホットプラグ対応の 2.5 インチハードドライブ が 1 台または 2 台 メモ ：1 台のサーバーモジュール内に SAS と SATA のハードドライブを混在させることは できません。
コネクタ	
外部アクセス用	
正面	
カスタム	カスタムケーブルを介して USB デバイス 2 つ とビデオをサポート
ビデオ	
ビデオタイプ	ATI ES1000 ビデオコントローラ
ビデオメモリ	16 MB

サイズと重量

高さ	28.575 cm
幅	4.241 cm
奥行	50.8 cm
重量(最大構成)	7.257 kg

バッテリー

サーバーモジュールのバッテリー	3.0 V コイン型リチウムイオン電池 CR 2032
-----------------	-----------------------------

システム

システムエンクロージャ

高さ	31.038 cm
幅	42.519 cm
奥行	76.2 cm
重量(最大構成)	129.274 kg

電源装置モジュール

AC 電源装置(各電源装置につき)

ワット数	2100 W
電圧	AC 170~264 V、50/60 Hz、AC 170 V で 15.8 A AC 264 V で 9.9 A
放熱	最大 3480 BTU/時
最大流入電流	通常のラインコンディションのもと、システムの動作環境全範囲で、電源装置 1 台につき 10 ms 以下で 55 A の入電量を許容できます。

サイズと重量

高さ	9.70 cm
幅	12.90 cm
奥行	23.01 cm
重量	3.288 kg

ファンモジュール

サイズと重量

高さ	14.732 cm
幅	15.748 cm
奥行	27.305 cm
重量	2.948 kg

KVM モジュール

外部アクセス用コネクタ

カスタム	2つの PS/2 デバイスと 1 台のビデオに使用するカスタムケーブル
ACI ポート	RJ-45(Avocent アナログ KVM スイッチのみ)
Ethernet (イーサネット)	RJ-45 (Avocent デジタルアクセス KVM スイッチのみ)

サイズと重量

高さ	2.54 cm
幅	5.334 cm
奥行	28.194 cm
重量	0.272 kg

DRAC/MC モジュール

外部アクセス用コネクタ

リモート管理	専用 10/100 RJ-45(内蔵 Ethernet リモートアクセスコントローラ用)
シリアル	16550 互換 9 ピン DTE

バッテリー

モジュールバッテリー	3.0 V コイン型リチウムイオン電池 CR 2032
------------	-----------------------------

サイズと重量

高さ	2.54 cm
幅	7.493 cm
奥行	26.03 cm
重量	0.363 kg

PowerConnect 5316M Ethernet スイッチモジュール

外部アクセス用コネクタ

Gb 10/100/1000 Mbps Ethernet	オートネゴシエーション RJ-45 アップリンク×6
------------------------------	-------------------------------

サイズと重量

高さ	3.302 cm
幅	13.081 cm
奥行	27.432 cm
重量	0.816 kg

Gb Ethernet パススルーモジュール

外部アクセス用コネクタ

Ethernet (イーサネット)	RJ-45 アップリンク (1 Gbps の内蔵 NIC 用)×10 メモ: パススルーのアップリンクは 1000 Mbps の接続のみをサポートします。
-------------------	---

サイズと重量

高さ	3.302 cm
幅	13.081 cm
奥行	27.432 cm
重量	0.816 kg

ファイバーチャネルパススルーモジュール

外部アクセス用コネクタ

ファイバーチャネルトランシーバ	76 ピン、3.5 Gbps、GPIO トランシーバ接 続端子×10
-----------------	---------------------------------------

サイズと重量

高さ	3.302 cm
幅	13.081 cm
奥行	27.432 cm
重量	0.816 kg

ファイバーチャネルスイッチモジュール

外部アクセス用コネクタ

ファイバーチャネル 1/2/4 Gb/s Ethernet	ユニバーサル(E、F、および FL)自動認識ポート RJ-45
----------------------------------	------------------------------------

サイズと重量

高さ	3.302 cm
幅	13.081 cm
奥行	27.432 cm
重量	1.06 kg

Infiniband パススルーモジュール

外部アクセス用コネクタ

Infiniband	4X ポート×10
------------	-----------

サイズと重量

高さ	3.302 cm
幅	13.081 cm
奥行	27.432 cm
重量	1.8 kg

環境

メモ：特定のシステム構成でのその他の環境条件の詳細については、www.dell.com/environmental_datasheets を参照してください。このシステムはオフィス環境用ではありません。

温度

動作時	10～35°C メモ ：900 m を超える場所では、300 m 上昇することにより最大温度を 1 °C 下げます。
保管時	-40～65°C

相対湿度

動作時	1 時間あたり最大 10 % の湿度変化で 8～85 % (結露しないこと)
保管時	5～95%(結露しないこと)

最大振動

動作時	15 分間に 3～200 Hz で 0.25 G
保管時	15 分間に 3～200 Hz で 0.5 G

最大衝撃

動作時	z 軸の正方向に 2 ミリ秒以下で 41 G の 1 衝撃パルス(システムの各面に対して 1 パルス)
保管時	x、y、z 軸の正および負方向に 6 連続衝撃パルス(システムの各面に対して 1 パルス)、2 ミリ秒以下で 71 G

高度

動作時	-16～3,048 m
保管時	-16～10,600 m

시스템 시작하기

참고 , 알림 , 주의



참고: 참고는 컴퓨터를 보다 효율적으로 사용하는데 도움이 되는 중요 정보를 제공합니다.



주의사항: 알림은 하드웨어의 손상 또는 데이터 유실 위험을 설명하며, 이러한 문제를 방지할 수 있는 방법을 알려줍니다.



주의: 주의는 재산상의 피해나 심각한 부상 또는 사망을 유발할 수 있는 위험이 있음을 나타냅니다.

본 설명서에 수록된 정보는 사전 통보 없이 변경될 수 있습니다.

© 2006 Dell Inc. All rights reserved.

어떠한 경우에도 Dell Inc.의 사전 승인 없이 무단 복제하는 행위는 엄격하게 금지되어 있습니다.

본 설명서에 사용된 상표인 *Dell*, *DELL* 로고 및 *Dell OpenManage*는 Dell Inc.의 상표이며, *Microsoft* 및 *Windows*는 등록 상표이고 *Windows Server*는 Microsoft Corporation의 상표입니다. *Intel* 및 *Xeon*은 Intel Corporation의 등록 상표이며, *SUSE*는 Novell, Inc.의 등록 상표입니다. *Red Hat*은 Red Hat, Inc.의 등록 상표입니다.

본 설명서에서 특정 회사의 표시나 제품 이름을 지칭하기 위해 기타 상표나 상호를 사용할 수도 있습니다. Dell Inc.는 자사가 소유하고 있는 것 이외에 기타 모든 등록 상표 및 상표 이름에 대한 어떠한 소유권도 보유하지 않습니다.

Model BMX

2006 년 1 월


P/N YC631

Rev. A00

시스템 특징


이 절에서는 컴퓨터의 주요 하드웨어 및 소프트웨어의 특징을 설명합니다. 시스템 설정 시 필요한 기타 설명서 정보 및 기술 지원을 얻는 방법도 기술되어 있습니다.

- 서버 모듈이 최대 10개까지 지원됩니다. 새시에는 1~10개까지 서버 모듈이 지원됩니다. (새시에 설치된 서버 모듈이 10개 미만일 경우에는 올바른 냉각을 위해 서버 모듈 블랭크가 필요합니다.)
- 시스템 관리 소프트웨어 기능을 사용할 수 있도록 해주는 DRAC/MC (Dell™ Remote Access Controller/Modular Chassis).
 - 시스템 관리 기능을 사용하려면 직렬 관리 포트와 외장형 PC 사이에 시스템에서 제공되는 널 모뎀 케이블을 연결하십시오. RJ-45 관리 포트에 연결된 웹 브라우저를 사용하여 시스템 관리 정보를 볼 수도 있습니다. 시스템 관리 소프트웨어는 시스템과 서버 모듈 상태를 감시합니다.
 - 내장된 시스템 관리 회로는 시스템 팬 작동, 과도한 시스템 전압 및 온도를 감시합니다. 시스템 관리 회로는 시스템 관리 소프트웨어와 연계하여 작동합니다.
- Pass-Through 모듈과 네트워크 스위치 모듈 등에 대한 I/O 연결을 지원합니다. I/O 모듈이 4개까지 설치될 수 있습니다. (설치된 모듈이 4개 미만일 경우에는 올바른 냉각을 위해 빈 I/O 모듈이 필요합니다.) 서버 모듈에 설치된 도터 카드 옵션은 I/O 연결을 가능하게 합니다.
- 2개의 단축 연결 가능 시스템 팬 모듈이 있습니다. 각 팬 모듈에는 2개의 교체 가능한 팬이 있습니다.
- 단축 연결 가능한 2100W 전원 공급 장치 2개, 전원 공급 장치 블랭크 2개, 또는 단축 연결 가능한 2100W 전원 공급 장치 4개. 시스템 전원 공급 장치 2개와 추가 전원 공급 장치 2개로 중복 구성되어 있습니다.

 **주의사항** : 1200W 전원 공급 장치는 지원되지 않습니다.


서버 모듈 특징

- 하나 또는 두 개의 Intel® Xeon® 프로세서 5000 Sequence.
- SMP (Symmetric Multiprocessing)에 대한 지원은 독립된 프로세서 사이에 작업을 분배함으로써 전체 시스템 성능을 크게 향상시킵니다. 이 기능을 사용하려면 멀티프로세싱 방식을 지원하는 운영 체제를 사용해야 합니다.
- 시스템 보드의 8개의 메모리 모듈 소켓에 256MB, 512MB, 1GB, 2-GB 또는 4GB 2웨이 인터리빙 메모리 모듈 조합을 설치하여 최대 32GB로 업그레이드할 수 있는, 최소 512MB의 533MHz 또는 677MHz (사용 가능한 경우) DDR II FBD (Fully-Buffered DIMM) 메모리 모듈.
시스템은 또한 8개의 메모리 모듈 소켓에 동일한 메모리 모듈이 들어있을 경우 메모리 배분 (sparing) 또는 메모리 미러링 (mirroring)을 지원합니다.
- 2.5인치, 단축 연결 가능 SAS 또는 SATA 하드 드라이브를 최대 2개까지 지원합니다.

 **참고**: SAS와 SATA 하드 드라이브는 서버 모듈에서 함께 사용할 수 없습니다.

- 통합된 내장형 드라이브 미러링을 사용하여 내장된 RAID 컨트롤러를 통해 두 개의 디스크를 사용할 수 있습니다.

- 사용자 정의 케이블을 사용하는 USB 장치를 지원하기 위한 외부 포트입니다. USB 장치에는 마우스, 키보드, 플래쉬 드라이브, 1.44MB, 3.5인치 디스켓 드라이브, 광 드라이브 등이 있습니다.

 **참고:** Dell에서 제공하는 USB 디스켓 드라이브와 광 드라이브만 지원되지 않으므로 3미터(118.1인치) 이내의 USB 2.0 규격 케이블만 사용하십시오.

- 내장형 VGA 호환 비디오 서브시스템에는 ATI ES1000 비디오 컨트롤러가 있습니다. 이 비디오 서브시스템에는 16MB의 SDRAM 비디오 메모리가 포함되어 있습니다(업그레이드 불가능). 최대 해상도는 1280 x 1024 x 65,000 색상(비인터레이스)입니다.
- 시스템 팬, 임계 시스템 전압 및 온도 등의 작동을 모니터링하는 시스템 관리 회로. 시스템 관리 회로는 시스템 관리 소프트웨어와 연계하여 작동합니다.

특정 기능에 관한 자세한 내용은 "기술 사양"을 참조하십시오.

시스템에는 다음과 같은 소프트웨어가 설치되어 있습니다.


- 시스템 구성 정보를 빠르게 보여주고 변경할 수 있는 System Setup 프로그램. 이 프로그램에 대한 자세한 내용은 *하드웨어 사용 설명서*에서 "System Setup 프로그램 사용"을 참조하십시오.
- System Setup 프로그램을 통해 시스템 암호, 설치 암호가 포함된 고급 보안 기능.
- 시스템 구성요소와 장치를 진단할 수 있는 시스템 진단 프로그램. 시스템 진단 프로그램 사용에 대한 자세한 내용은 *하드웨어 사용 설명서*에서 "시스템 진단 프로그램 실행"을 참조하십시오.
- 주요 응용프로그램을 고해상도 모드로 표시해주는 비디오 드라이버.
- 시스템 관리 소프트웨어 및 설명서 시스템 관리 소프트웨어는 각 개별 서버 모듈뿐만 아니라 서버 모듈, 네트워크 스위치 모듈, 전원 공급 장치, 팬 등이 포함된 시스템 전체를 관리하고 감시하는 데 사용됩니다. 시스템 관리 소프트웨어는 네트워크를 통해 시스템을 로컬 또는 원격으로 관리합니다. 본 시스템과 함께 제공된 시스템 관리 소프트웨어를 사용하는 것이 좋습니다.
- 웹 호스팅, 캐싱 또는 로드 밸런싱용으로 고안된 솔루션 소프트웨어 옵션입니다. 자세한 내용은 솔루션 소프트웨어 설명서를 참조하십시오.


지원되는 운영 체제

본 시스템에는 다음과 같은 운영 체제가 지원됩니다.

- Microsoft® Windows® 2000 Server, Advanced Server (Service Pack 4 이상)
- Microsoft Windows Server™ 2003 Standard Edition, Enterprise Edition, Web Edition (Service Pack 1 이상)
- Microsoft Windows Server 2003 Standard 및 Enterprise x64 Edition
- Intel x86용 Red Hat® Enterprise Linux AS, ES, WS (version 3)
- Intel x86용 Red Hat Enterprise Linux AS, ES, WS (version 4)
- Intel EM64T (Intel Extended Memory 64 Technology) 용 Red Hat Enterprise Linux AS, ES, WS (버전 4)
- Intel EM64T용 SuSE® Linux Enterprise Server 9

기타 필요한 정보

 **주의** : 제품 정보 안내는 중요한 안전 지침 및 규제 관련 정보를 제공합니다. 보증 정보는 본 설명서에 포함되어 있거나 별도의 문서로 제공됩니다.

- 랙 솔루션과 함께 제공되는 *랙 설치 설명서* 또는 *랙 설치 안내 지침*에는 시스템을 랙에 설치하는 방법이 기술되어 있습니다.
- *하드웨어 사용 설명서*에서는 시스템 기능에 대한 정보를 제공하고 시스템 문제 해결 방법 및 시스템 구성요소 설치 또는 교체 방법을 설명합니다.
- *Dell OpenManage BMC (Baseboard Management Controller) 사용 설명서*에는 BMC 사용 방법에 대한 자세한 내용이 설명되어 있습니다.
- *DRAC/MC (Dell Remote Access Controller/Modular Chassis) 사용 설명서*에는 시스템의 원격 관리 기능 사용 방법에 대한 자세한 내용이 설명되어 있습니다.
- *구성 설명서*에서는 시스템을 구성하고 시스템에 서버 모듈을 구성하는 내용을 설명합니다.
- 시스템과 함께 제공되는 CD에는 시스템 구성과 관리를 위한 문서와 도구가 포함되어 있습니다.
- 시스템 관리 소프트웨어 설명서는 소프트웨어 기능, 요구사항, 설치 및 기본 작동을 설명합니다.
- 운영 체제 설명서에는 운영 체제 소프트웨어 설치(필요한 경우), 구성 및 사용 방법이 기술되어 있습니다.
- 별도로 구입한 구성요소의 설명서에는 옵션을 구성하고 설치하는 내용이 기술되어 있습니다.
- 시스템, 소프트웨어 또는 설명서의 변경 사항이 포함된 갱신본이 시스템과 함께 제공되기도 합니다.
 -  **참고**: support.dell.com 에서 새로운 갱신본이 없는지 항상 확인하십시오. 갱신본에는 최신 정보가 수록되어 있으므로 다른 설명서를 읽기 전에 반드시 먼저 참조하시기 바랍니다.
- 발행 정보나 readme 파일에는 시스템에 대한 최신 업데이트 사항이나 전문가 또는 기술자를 위한 고급 기술 참조 자료가 포함되어 있을 수 있습니다.

기술 지원 얻기

본 설명서의 절차가 이해되지 않거나 시스템이 제대로 작동하지 않을 경우에는 *하드웨어 사용 설명서*를 참조하십시오.

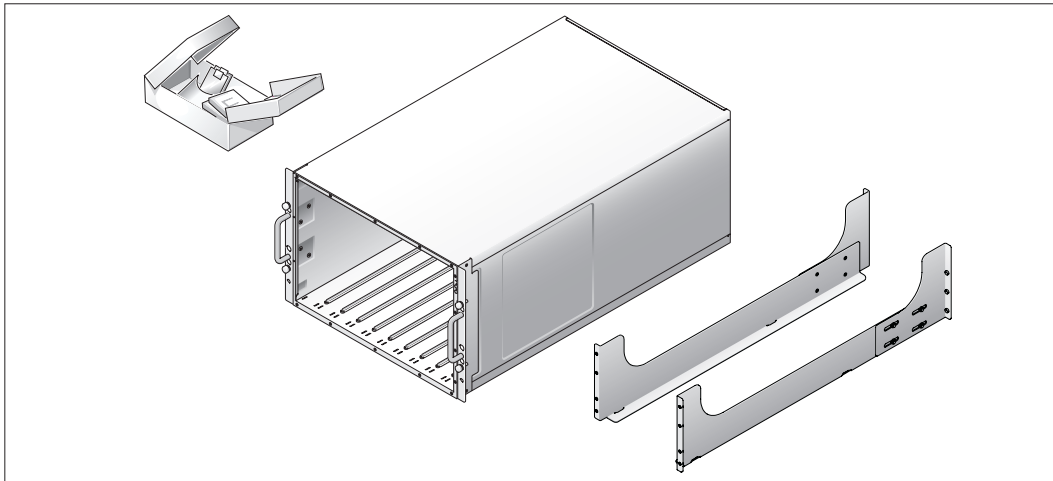
이제 Dell Enterprise Training and Certification을 이용할 수 있습니다. 자세한 내용은 www.dell.com/training을 참조하십시오. 지역에 따라 이 서비스가 제공되지 않을 수도 있습니다.

설치 및 구성

⚠ 주의 : 아래에 설명된 절차를 수행하기 전에 제품 정보 안내의 안전 지침 및 중요한 규제 관련 정보를 읽고 준수하십시오.

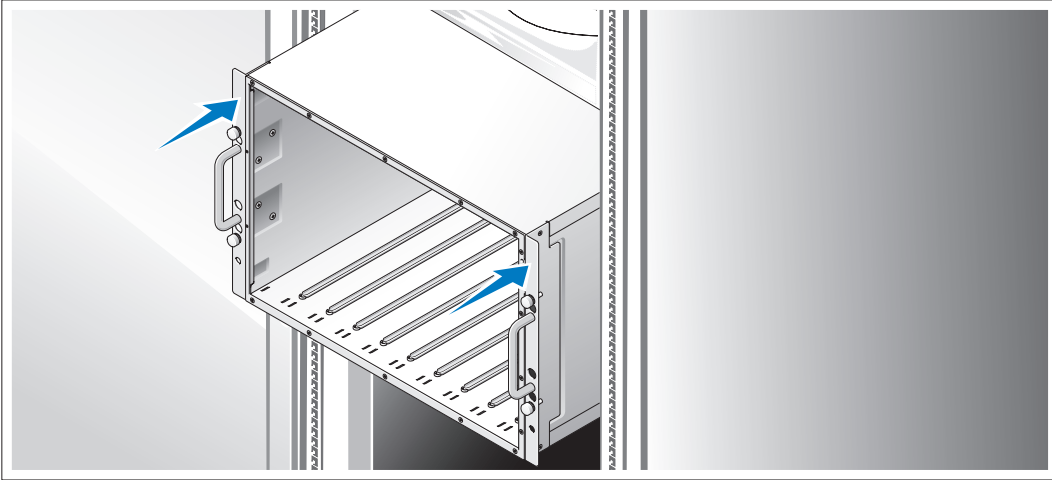
이 절에서는 처음 시스템을 설정하는 절차를 설명합니다.

시스템 포장 풀기



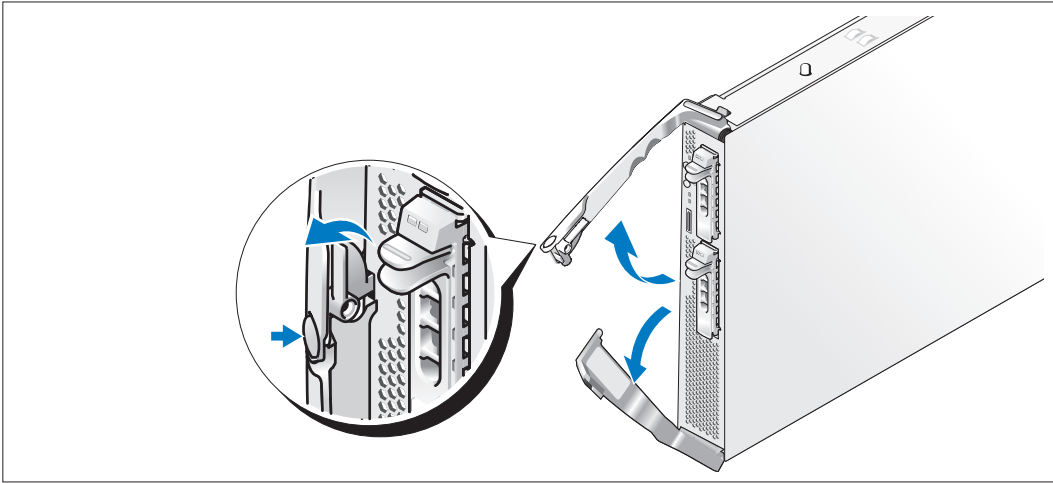
- 1 시스템 포장을 제거하고 각 항목을 확인합니다.
모든 운송 포장재는 나중에 필요할 수 있으므로 보관하십시오.

랙에 장치 설치

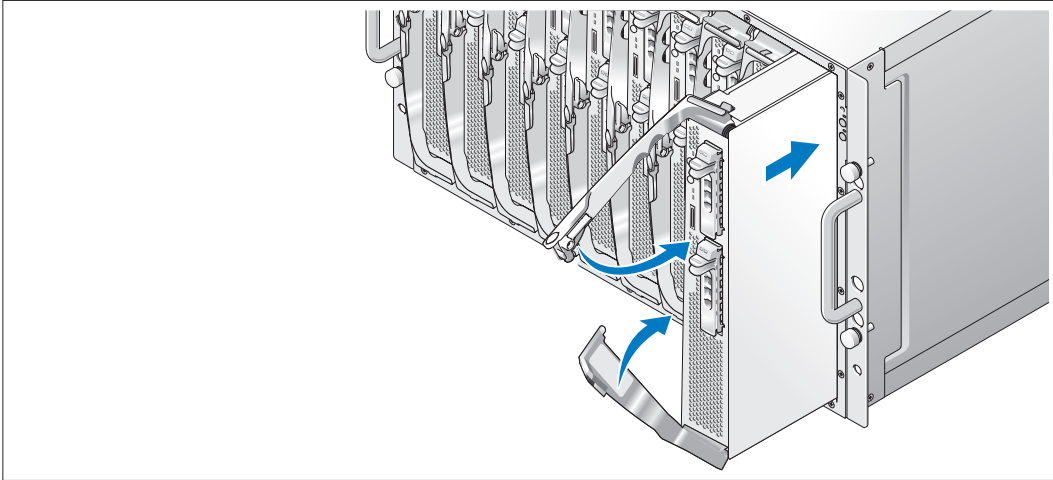


- 2 시스템의 랙 설치 안내서에 나와 있는 "안전 지침"을 읽은 후에 시스템을 랙에 설치합니다.
랙에 시스템을 설치하는 자세한 지침은 랙 설치 안내서를 참조하십시오.

서버 모듈 설치

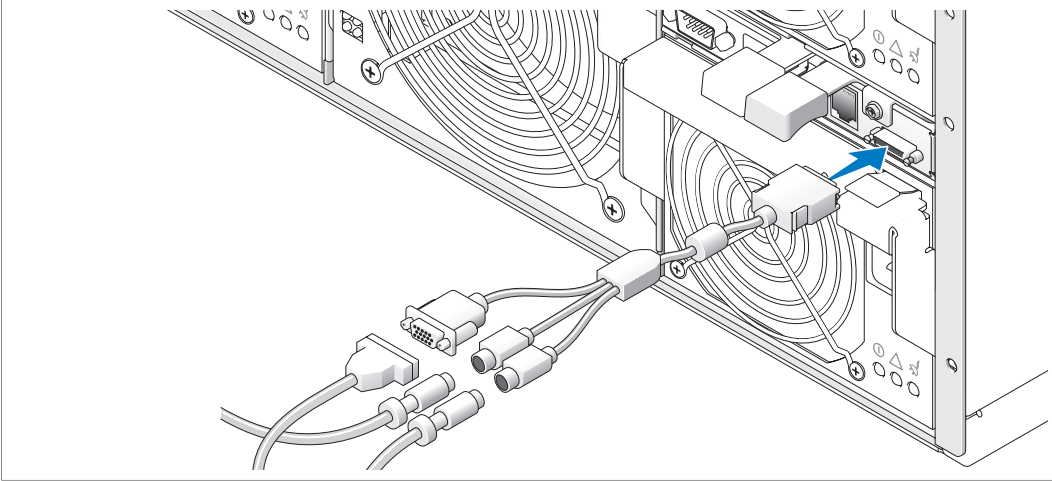


- 3** 모듈을 설치하기 전에 상단 손잡이에 로고가 나타나고 모듈의 모서리에 "윗-면"이 위를 향하도록 각 모듈의 방향을 맞춥니다. 상단 손잡이 안쪽의 분리 래치를 누릅니다. 상단 및 하단 손잡이를 당깁니다.



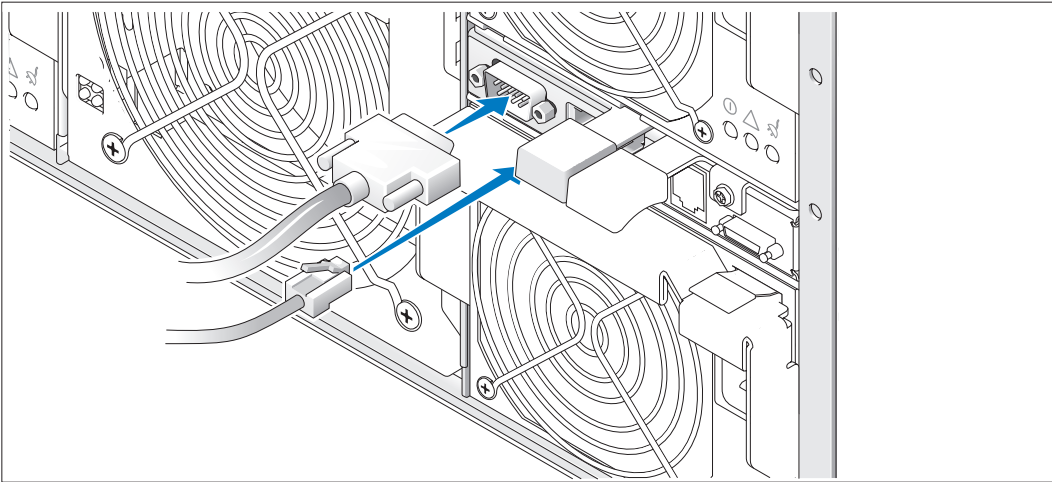
왼쪽에서 오른쪽 방향으로 모듈을 새시 쪽으로 밀어 넣습니다. 열려 있는 손잡이가 새시 전면에 닿으면 하단 손잡이가 모듈의 전면에 걸릴 때까지 손잡이를 함께 돌립니다(하단 손잡이가 먼저 닫힙니다). 하단 손잡이에 걸릴 때까지 상단 손잡이를 아래쪽으로 계속 돌립니다.(손잡이가 완전히 닫히면 분리 래치가 양쪽 손잡이를 전면에 고정시킵니다.)

키보드, 마우스 및 모니터 연결



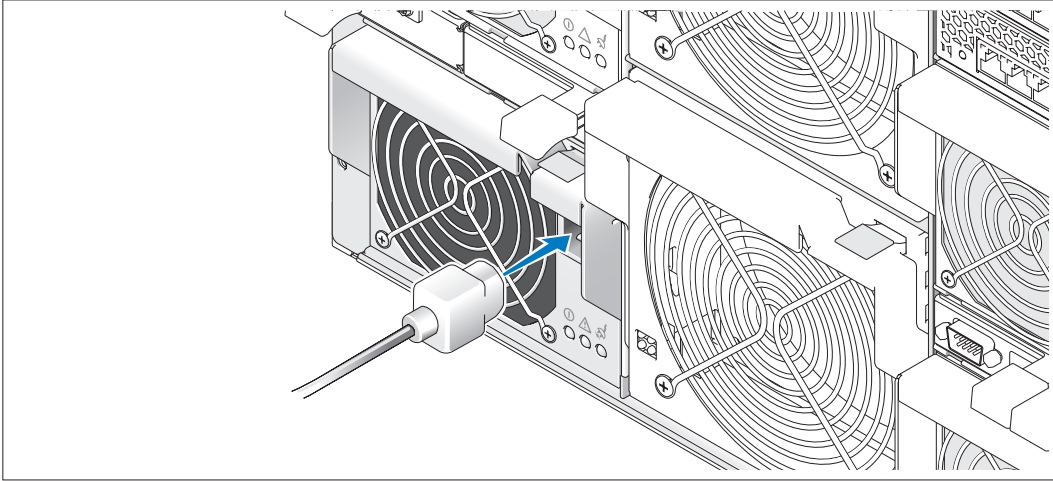
- 4** KVM 모듈에 사용자 정의 케이블을 장착한 다음 사용자 정의 케이블에 키보드, 마우스, 및 모니터 (옵션)를 연결합니다.

관리 시스템 연결



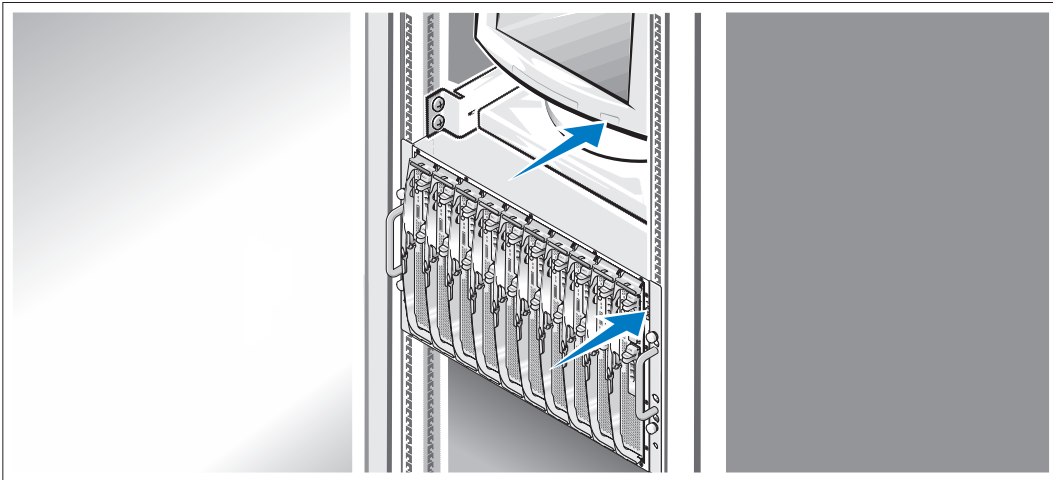
- 5** 관리 시스템의 직렬 케이블과 네트워크 케이블을 DRAC/MC 모듈에 연결합니다.

시스템 및 모니터 (옵션) 에 전원 연결



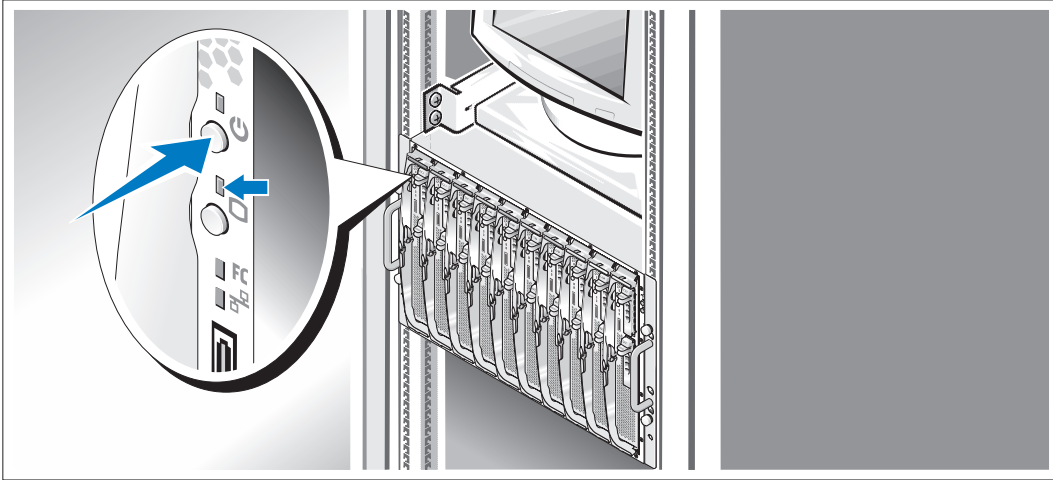
- 6** 시스템의 전원 케이블을 시스템에 연결합니다. 그런 다음, 케이블의 다른 쪽 끝을 접지된 전원이나 UPS(Uninterruptible Power Supply) 또는 PDU(Power Distribution Unit)와 같은 분리된 전원에 연결합니다. 모니터 전원 케이블을 접지된 전원에 연결하십시오.

시스템 및 모니터 (옵션) 전원 켜기



- 7** 쉐시 및 모니터의 전원 단추를 누릅니다. 그러면 전원 표시등이 켜집니다. 화면 상태가 만족스러울 때까지 모니터의 컨트롤을 조정합니다.

서버 모듈 전원 켜기



- 8 각 서버 모듈의 전원 단추를 누르거나 시스템 관리 소프트웨어를 사용하여 모듈의 전원을 켭니다.
서버 모듈의 KVM 표시등을 통해 서버 모듈 비디오의 디스플레이 상태를 알 수 있습니다.
화면 상태가 만족스러울 때까지 모니터의 컨트롤을 조정합니다.

운영 체제 설치 수행

시스템 구입시 운영 체제가 미리 설치되어 있는 경우에는 시스템과 함께 제공되는 운영 체제 설명서를 참조하십시오. 운영 체제를 처음으로 설치하려면 **빠른 설치 안내서**를 참조하십시오. 시스템과 함께 구입하지 않은 하드웨어 또는 소프트웨어를 설치하기 전에 운영 체제가 설치되어 있는지 확인하십시오.

기술 사양

서버 모듈

프로세서	
프로세서 유형	최대 2개의 Intel Xeon 프로세서 5000 Sequence
메모리	
아키텍처	533- 또는 677MHz(사용 가능한 경우)의 2웨이 인 터리빙 FBD DDR II DIMMs
메모리 모듈 소켓	240핀 8개
메모리 모듈 용량	256MB, 512MB, 1GB, 2GB 또는 4GB
최소 RAM	512MB
최대 RAM	32GB
드라이브	
하드 드라이브	
SAS 구성	하나 또는 두 개의 단축 연결 가능한 2.5인치 하드 드라이브
SATA 구성	하나 또는 두 개의 단축 연결 가능한 2.5인치 하드 드라이브
참고: SAS와 SATA 하드 드라이브는 서버 모듈에서 함께 사용할 수 없습니다.	
커넥터	
외부 접근가능	
전면	
사용자 정의	사용자 정의 케이블을 통한 두 개의 USB 장치 및 비디오 지원
비디오	
비디오 유형	ATI ES1000 비디오 컨트롤러
비디오 메모리	16MB

규격

높이	28.575cm(11.25인치)
너비	4.241cm(1.67인치)
깊이	50.8cm(20인치)
무게(최대 구성시)	7.257kg(16파운드)

전지

서버 모듈 전지	CR 2032 3.0V 리튬 이온 코인 셀
----------	-------------------------

시스템

시스템 인클로저

높이	31.038cm(12.22인치)
너비	42.519cm(16.74인치)
깊이	76.2cm(30인치)
무게(최대 구성시)	129.274kg(285파운드)

전원 공급 장치 모듈

AC 전원 공급 장치(전원 공급 장치마다)

와트	2100W
전압	170 VAC에서 170–264 VAC, 50/60 Hz, 15.8 A, 264 VAC에서 9.9 A
열 손실	3480 최대 BTU/hr
최대 유입 전류	일반적인 라인 상태나 전체 시스템의 작동 범위 에서는 최대 유입 전류가 10ms 이하 동안 전원 공급 장치당 55A에 달할 수 있습니다.

규격

높이	9.70cm(3.82인치)
너비	12.90cm(5.08인치)
깊이	23.01cm(9.06인치)
무게	3.288kg(7.25파운드)

팬 모듈

규격

높이	14.732cm(5.8인치)
너비	15.748cm(6.2인치)
깊이	27.305cm(10.75인치)
무게	2.948kg(6.5파운드)

KVM 모듈

외부 접근가능 커넥터

사용자 정의	두 개의 PS/2 및 한 개의 비디오에 사용되는 사용자 정의 케이블
ACI 포트	RJ-45 (Avocent Analog KVM 스위치만 해당)
Ethernet	RJ-45 (Avocent Digital Access KVM 스위치만 해당)

규격

높이	2.54cm (1인치)
너비	5.334cm (2.1인치)
깊이	28.194cm (11.1인치)
무게	0.272kg (0.6파운드)

DRAC/MC 모듈

외부 접근가능 커넥터

원격 관리	전용 10/100 RJ-45 (내장형 Ethernet Remote Access 컨트롤러용)
직렬	9핀, DTE, 16550 호환

전지

모듈 전지	CR 2032 3.0V 리튬 이온 코인 셀
-------	-------------------------

규격

높이	2.54cm (1인치)
너비	7.493cm (2.95인치)
깊이	26.03cm (10.35인치)
무게	0.363kg (0.8파운드)

PowerConnect 5316M Ethernet Switch 모듈

외부 접근가능 커넥터

Gb 10/100/1000Mbps Ethernet 자동 제어 RJ-45 업링크 6개

규격

높이 3.302cm (1.3인치)
너비 13.081cm (5.15인치)
깊이 27.432cm (10.8인치)
무게 0.816kg (1.8파운드)

Gb Ethernet Pass-Through 모듈

외부 접근가능 커넥터

Ethernet RJ-45 업링크 (통합 1Gbps NIC용) 10개
참고: Pass-through 업링크는 1000Mbps 연결만
지원합니다.

규격

높이 3.302cm (1.3인치)
너비 13.081cm (5.15인치)
깊이 27.432cm (10.8인치)
무게 0.816kg (1.8파운드)

Fibre Channel Pass-Through 모듈

외부 접근가능 커넥터

Fibre Channel 송수신기 76핀, 3.5 Gbps, GPIO 송수신기 콘센트 10개

규격

높이 3.302cm (1.3인치)
너비 13.081cm (5.15인치)
깊이 27.432cm (10.8인치)
무게 0.816kg (1.8파운드)

Fibre Channel 스위치 모듈

외부 접근가능 커넥터

Fibre Channel	일반 (E, F 및 FL) 자동 감지 포트 4개
1/2/4 Gb/s Ethernet	RJ-45

규격

높이	3.302cm (1.3인치)
너비	13.081cm (5.15인치)
깊이	27.432cm (10.8인치)
무게	1.06kg (2.35파운드)

Infiniband Pass-Through 모듈

외부 접근가능 커넥터

Infiniband	4X 포트 10개
------------	-----------

규격

높이	3.302cm (1.3인치)
너비	13.081cm (5.15인치)
깊이	27.432cm (10.8인치)
무게	1.8kg (4파운드)

환경

참고: 특정 시스템 구성을 위한 환경 측정에 대한 추가 정보는 www.dell.com/environmental_datasheets를 참조하십시오. 이 시스템은 사무실 환경에 적합하지 않습니다.

온도

작동	10° ~ 35°C (50° ~ 95°F) 참고: 900m (2955 ft) 이상의 높이에서 300m (985ft)당 1°C (1.8°F)로 최고 온도를 낮춥니다.
보관	-40° ~ 65°C (-40° ~ 149°F)

상대 습도

작동	8% ~ 85% (비응축), 시간당 10%의 최고 습도 변화시
보관	5% ~ 95% (비응축)

최대 진동

작동	3 ~ 200Hz에서 15분 동안 0.25G
보관	3 ~ 200Hz에서 15분 동안 0.5G

최대 충격

작동	최대 2ms 동안 (+) z축으로 41G의 충격 펄스(시스템 각 면에 1회의 펄스) 1회
보관	최대 2ms 동안 (+/-) x, y, z축으로 71G의 연속 충격 펄스(시스템 각 면에 1회의 펄스) 6회

고도

작동	-16 ~ 3,048m (-50 ~ 10,000ft)
보관	-16 ~ 10,600m (-50 ~ 35,000ft)

